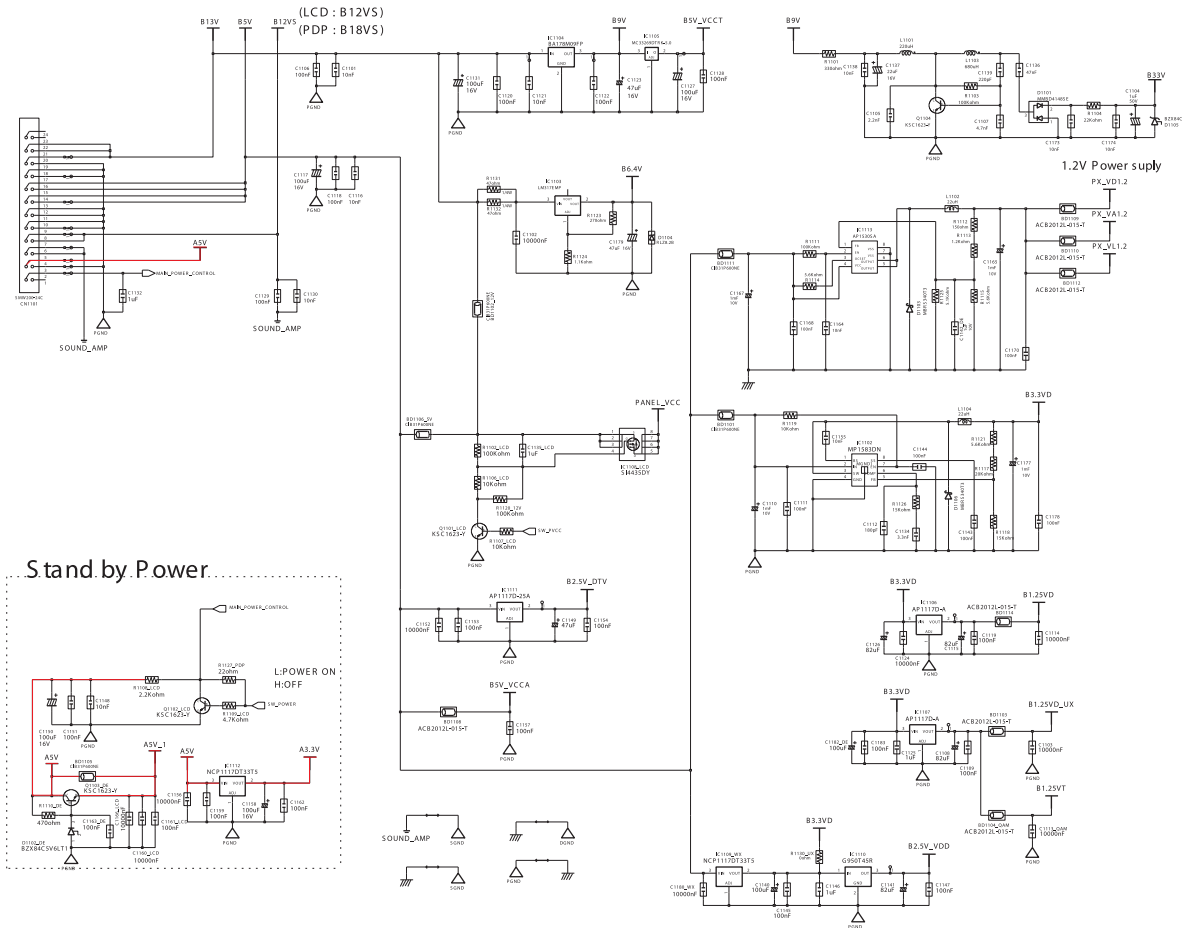


9 Schematic Diagrams

-This Document can not be used without Samsung's authorization.

9-1 Power Schematic Diagram

Reference : 1101~



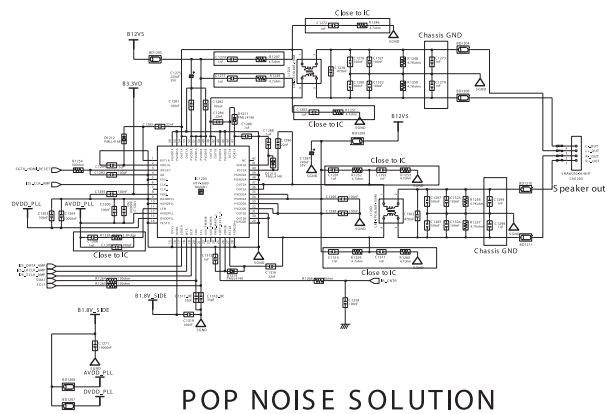
9 Schematic Diagrams

-This Document can not be used without Samsung's authorization.

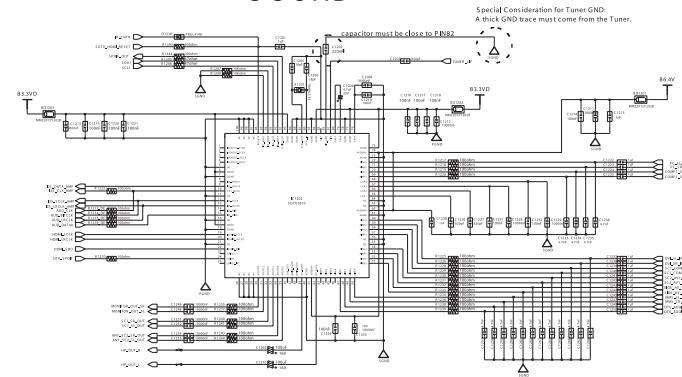
9-2 Sound Processing Schematic Diagram

Reference : 1201~

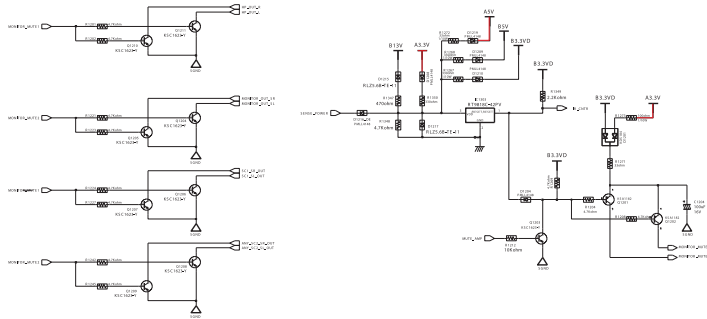
SOUND AMP



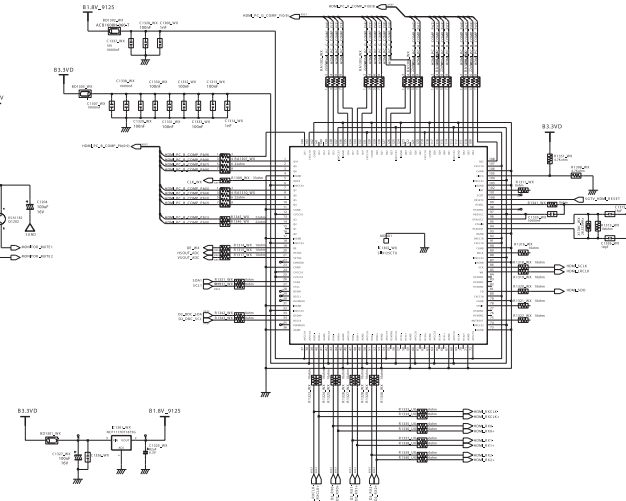
SOUND



POP NOISE SOLUTION



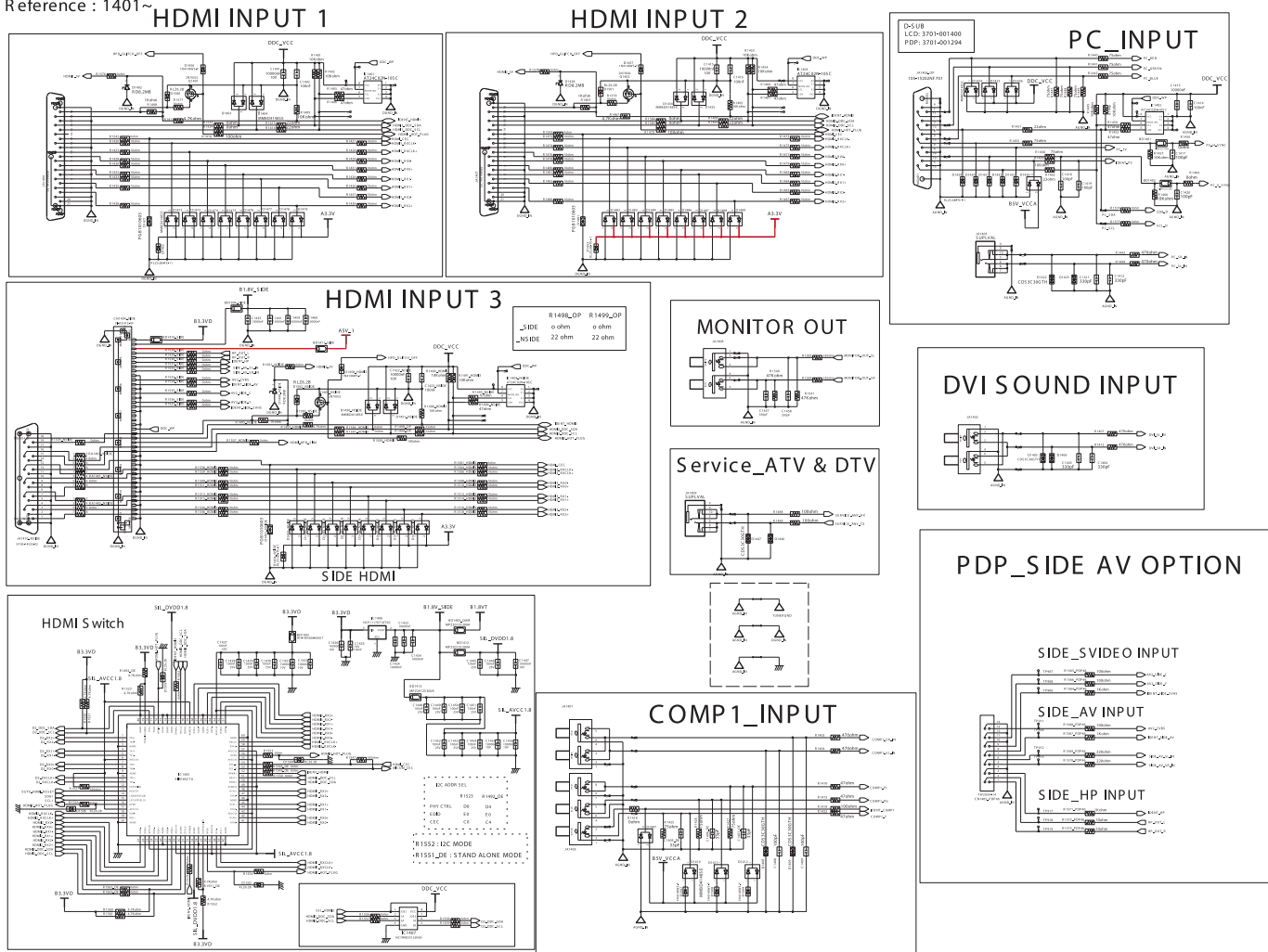
HDMI RECEIVER



-This Document can not be used without Samsung's authorization.

9-3 Input & Output Jack I Schematic Diagram

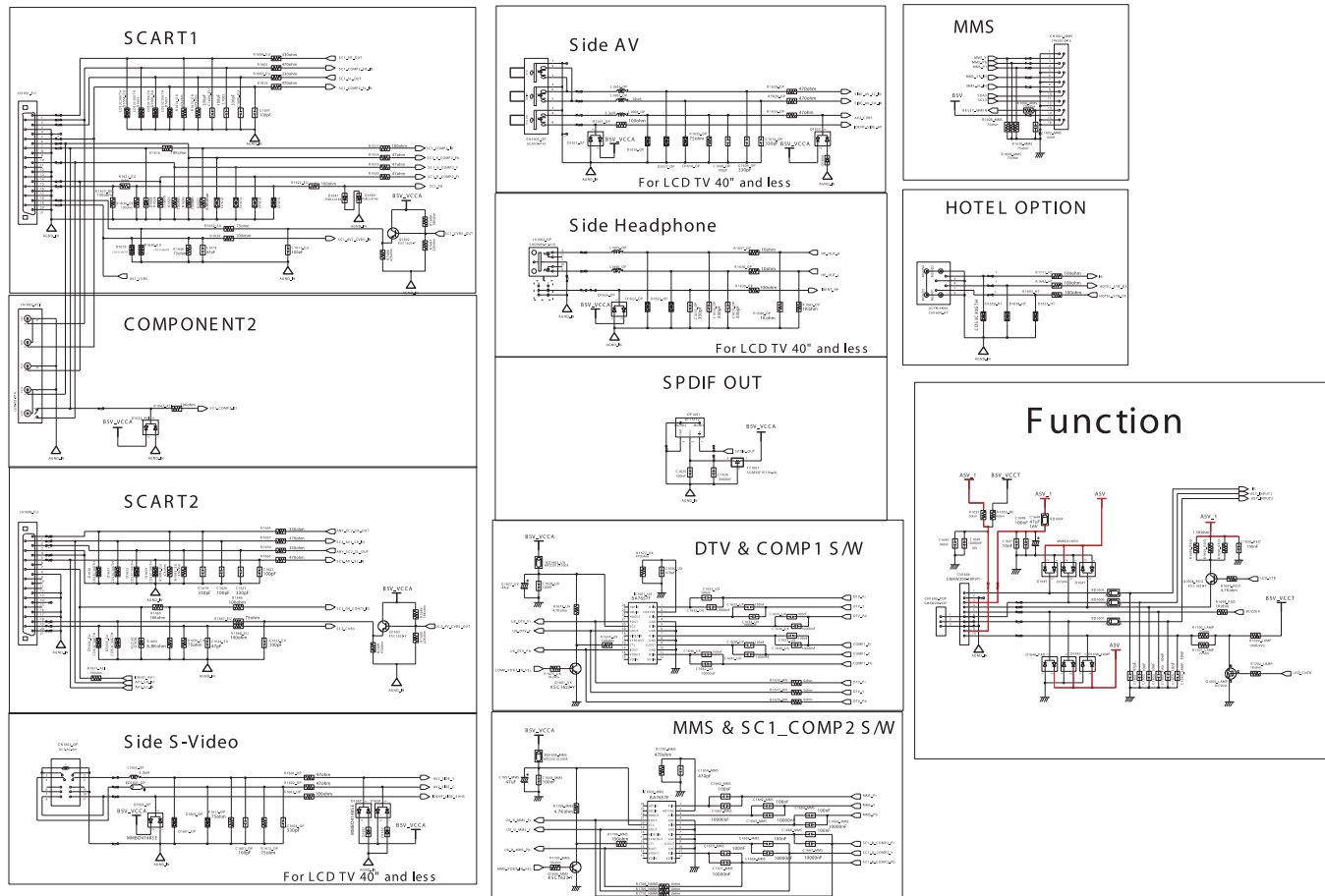
Reference : 1401~



-This Document can not be used without Samsung's authorization.

9-4 Input & Output Jack II Schematic Diagram

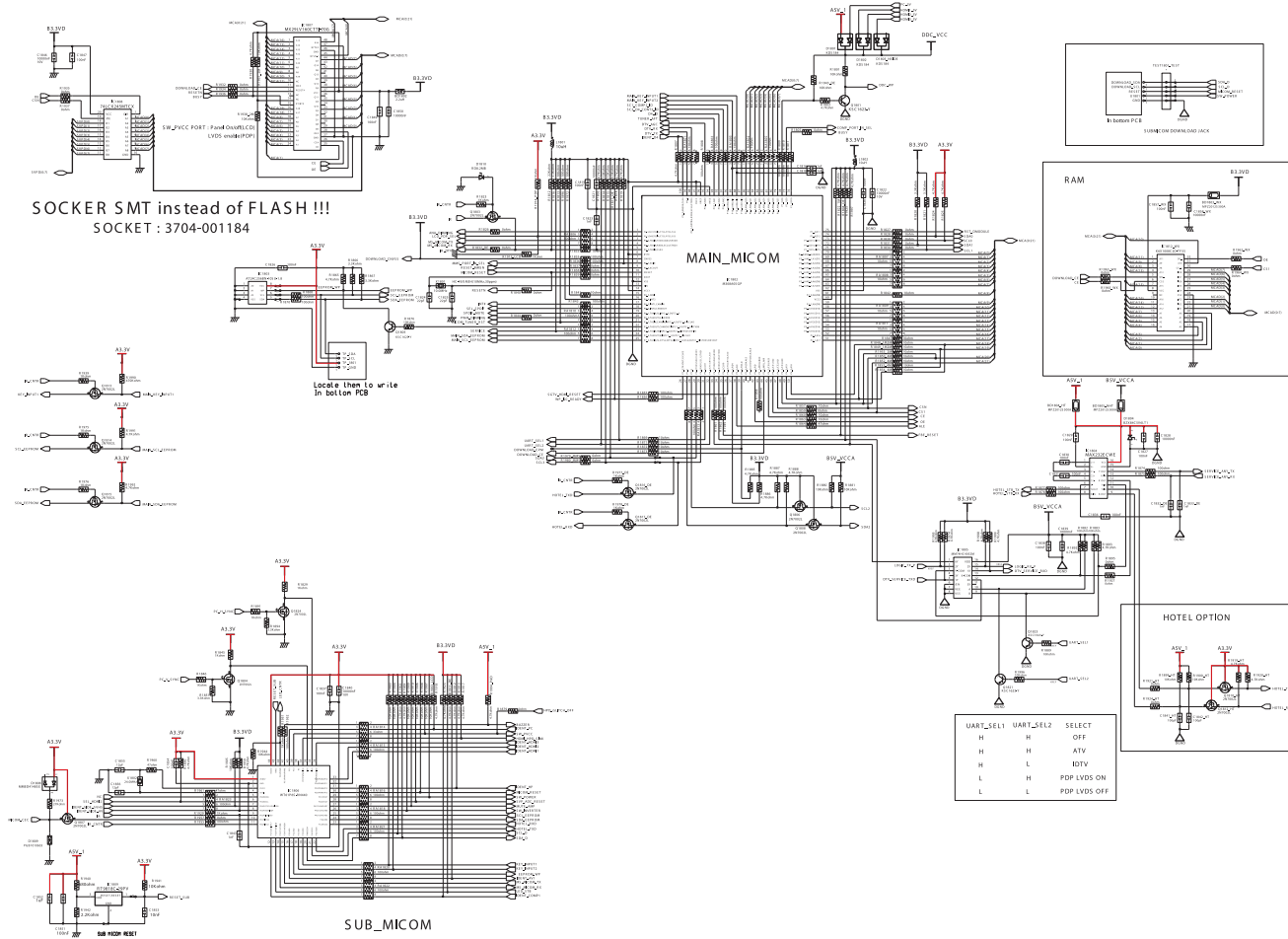
Reference : 1601~



-This Document can not be used without Samsung's authorization.

9-5 MICOM Schematic Diagram

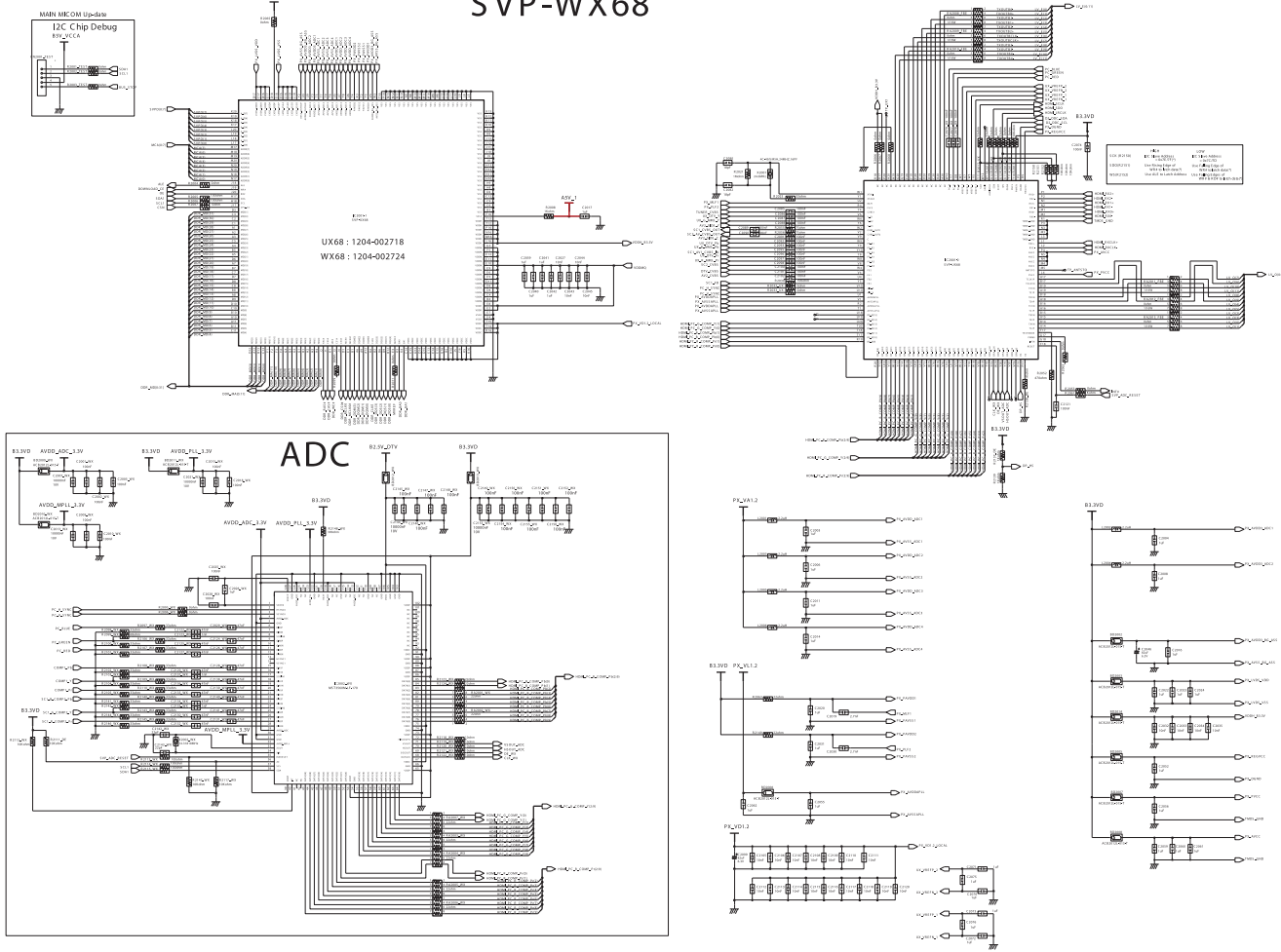
Reference : 1801~



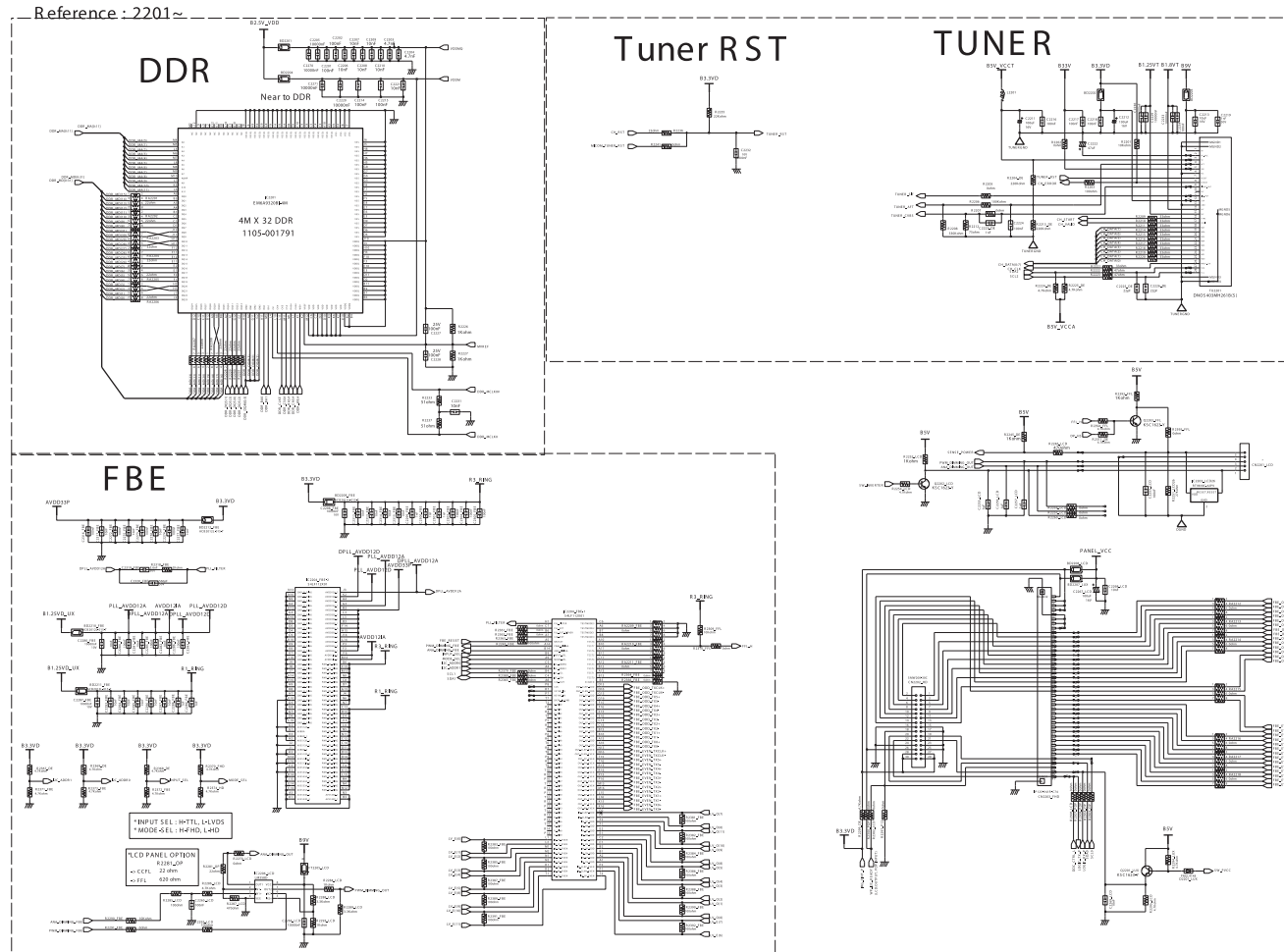
-This Document can not be used without Samsung's authorization.
 9-6 SVP-UX (Scaler) Schematic Diagram

Reference : 2001~

SVP-WX68

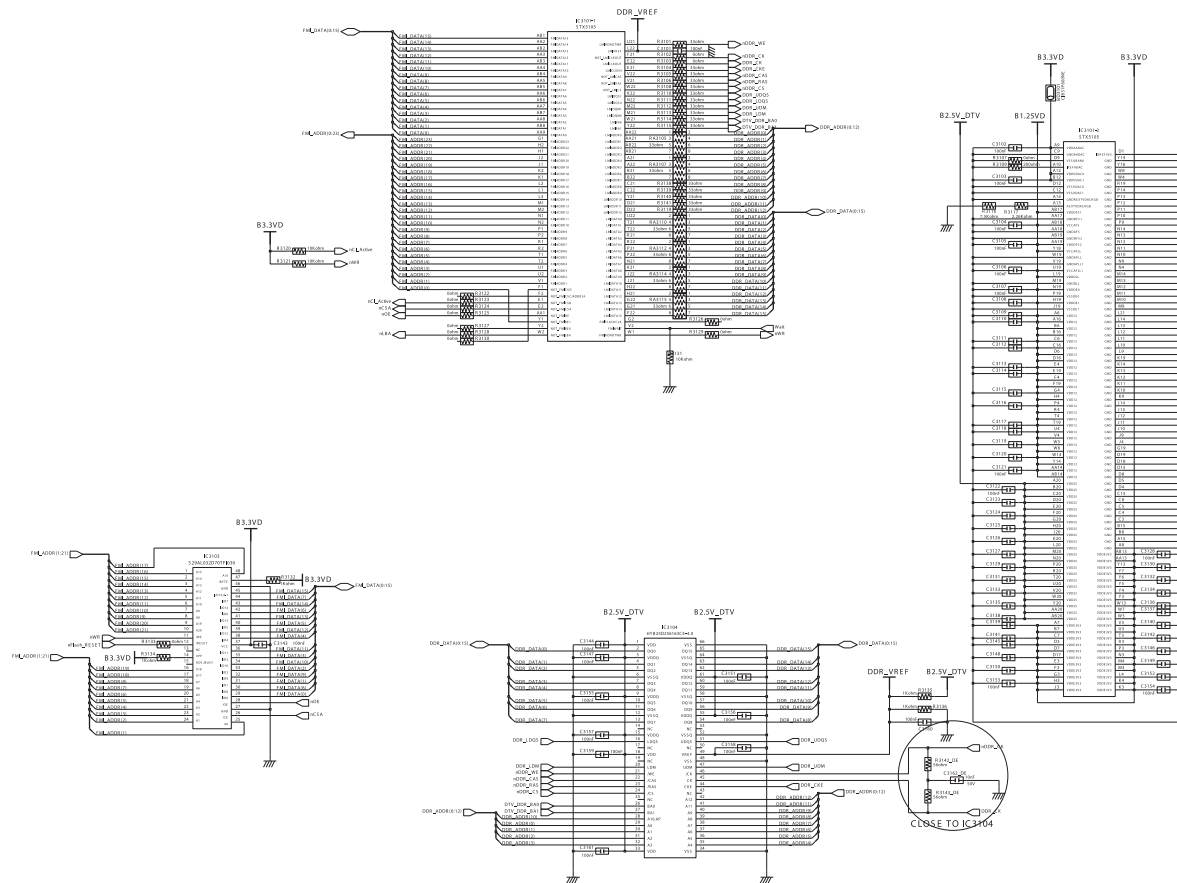


-This Document can not be used without Samsung's authorization.
 9-7 DDR & Tuner Schematic Diagram



-This Document can not be used without Samsung's authorization.
 9-9 DTV Memory & STi5105 Schematic Diagram

Reference : 3101~

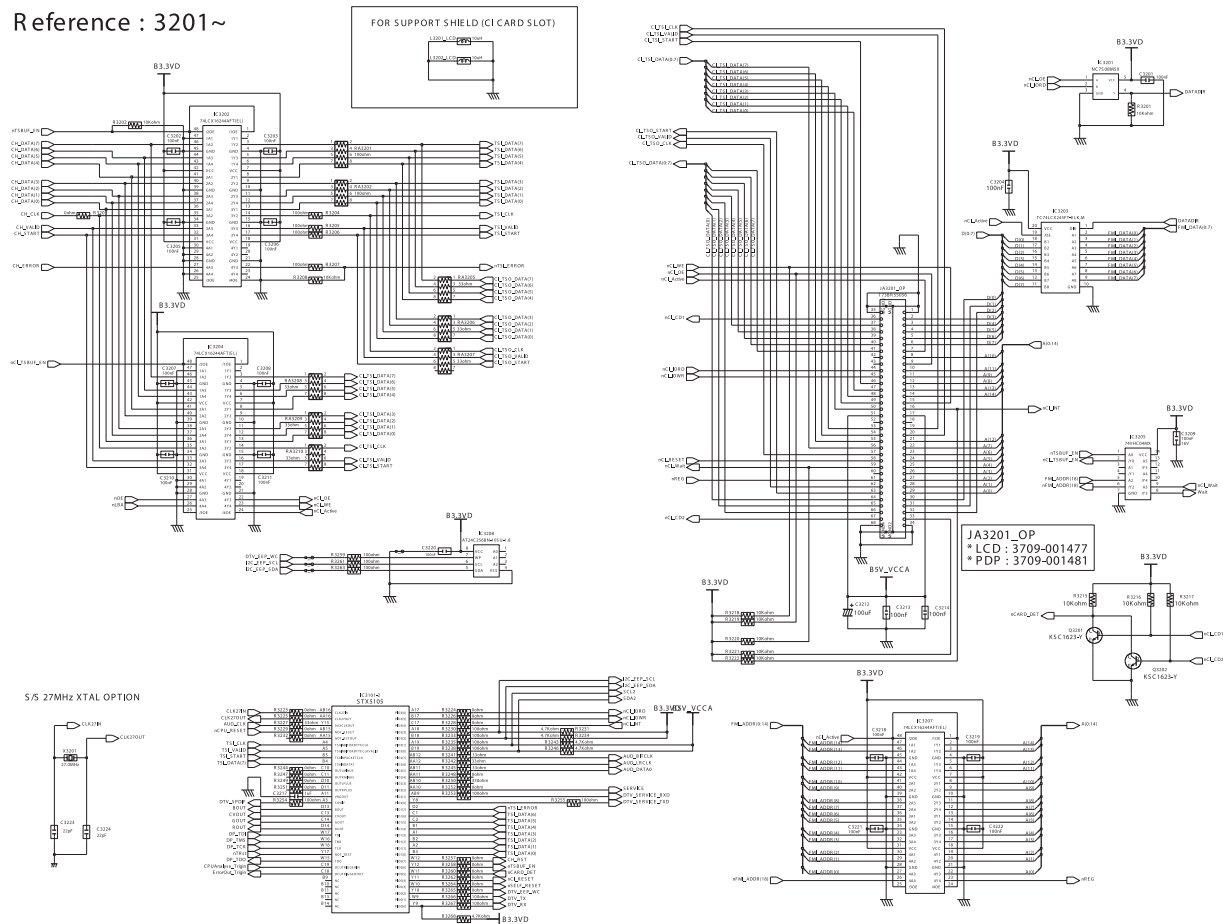


9 Schematic Diagrams

-This Document can not be used without Samsung's authorization.

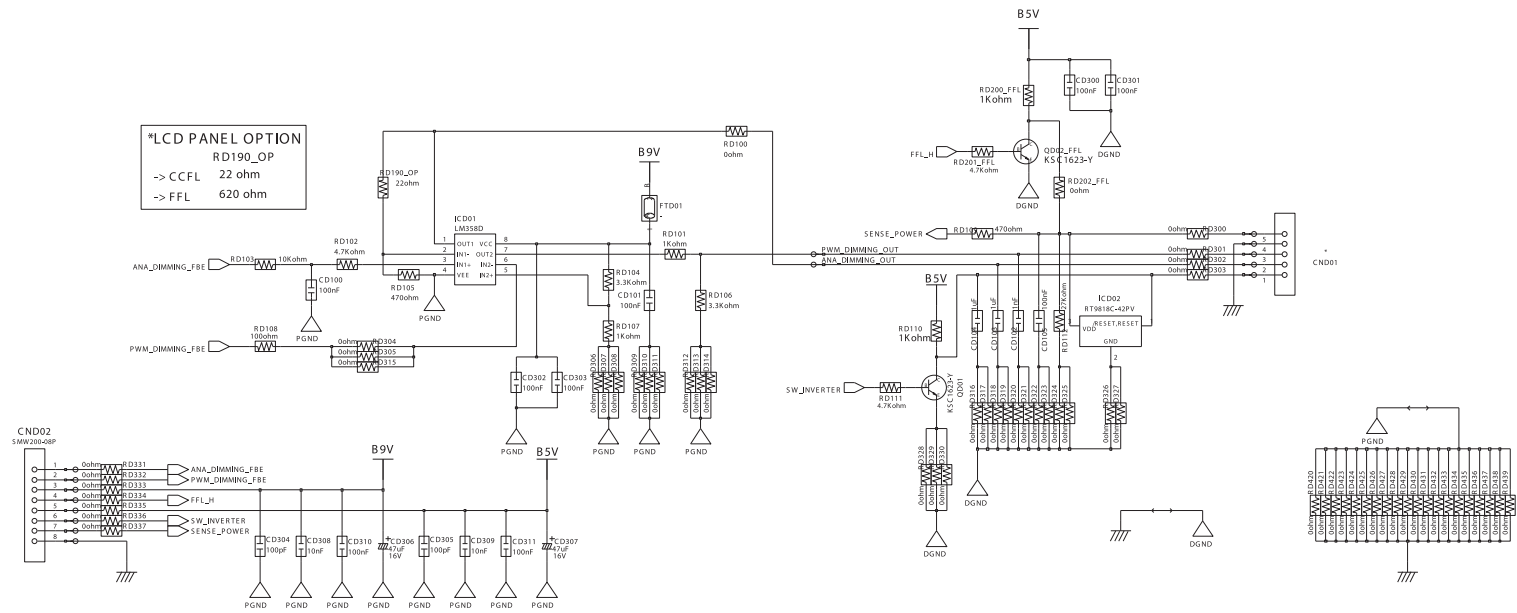
9-10 PCMCIA & STi5105 Schematic Diagram

Reference : 3201~



-This Document can not be used without Samsung's authorization.

9-11 DIMMING BOARD Schematic Diagram



Memo