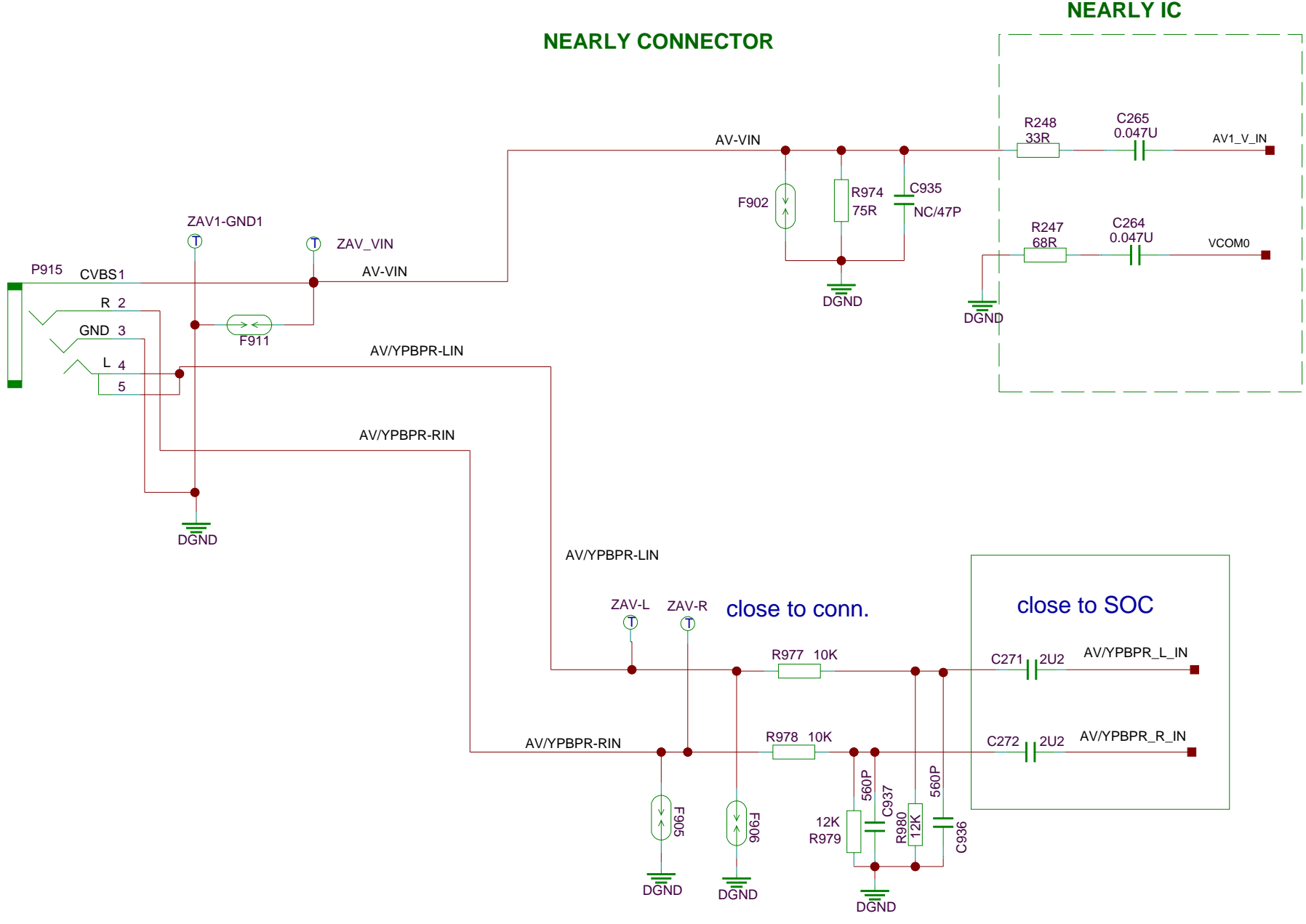
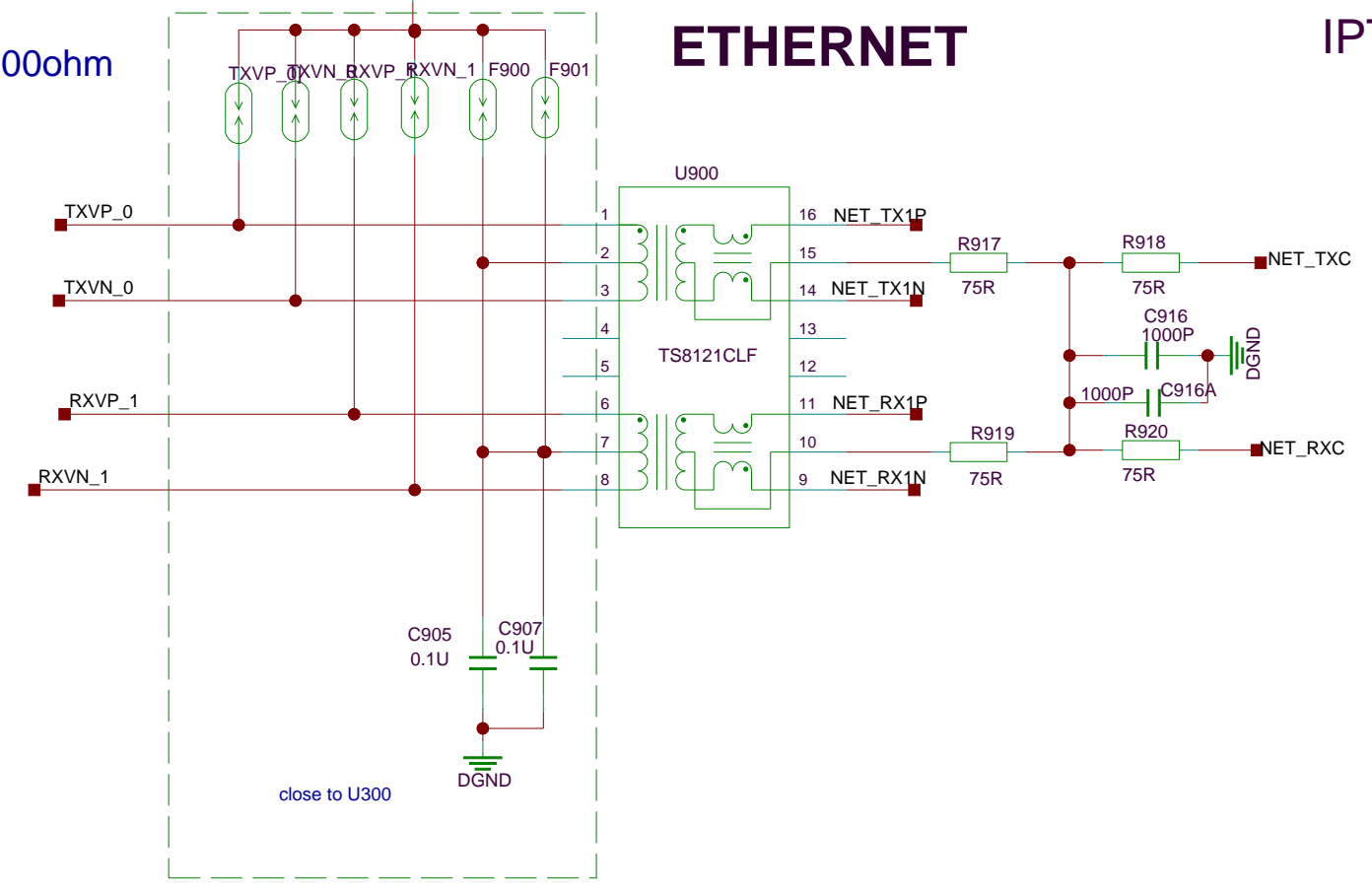


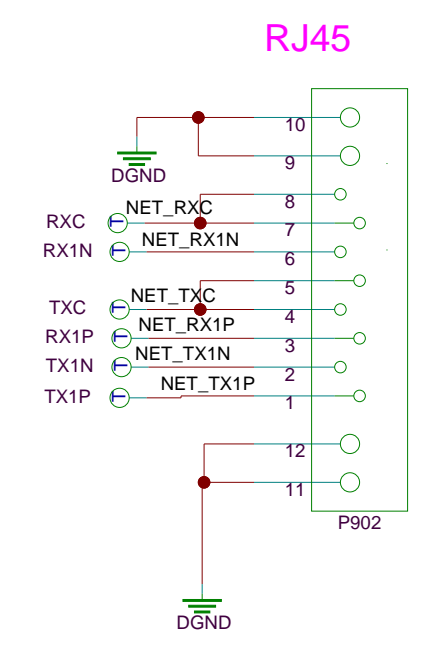
AV1 IN Mini jack for AV Input



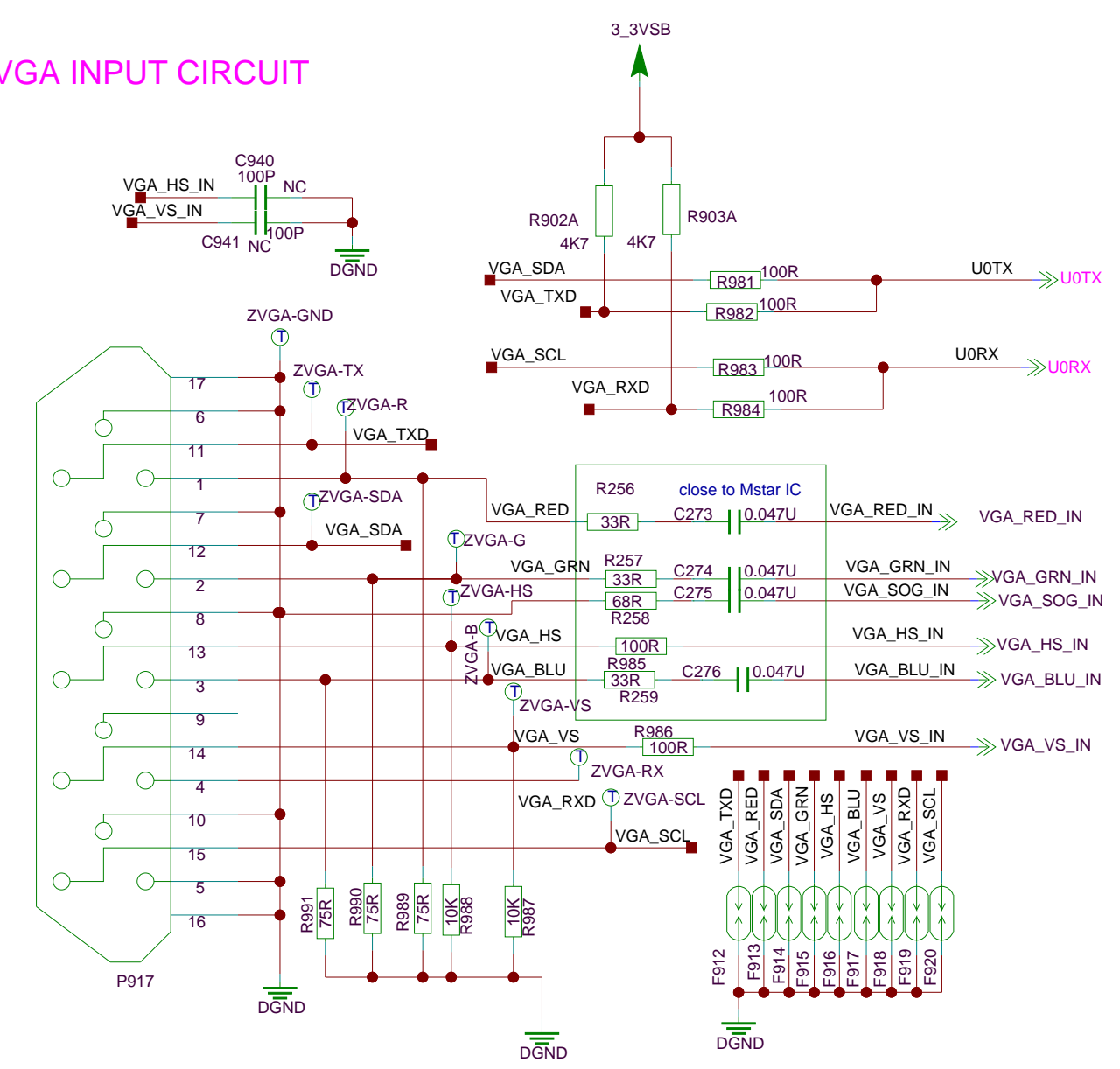
Must be differential 100ohm



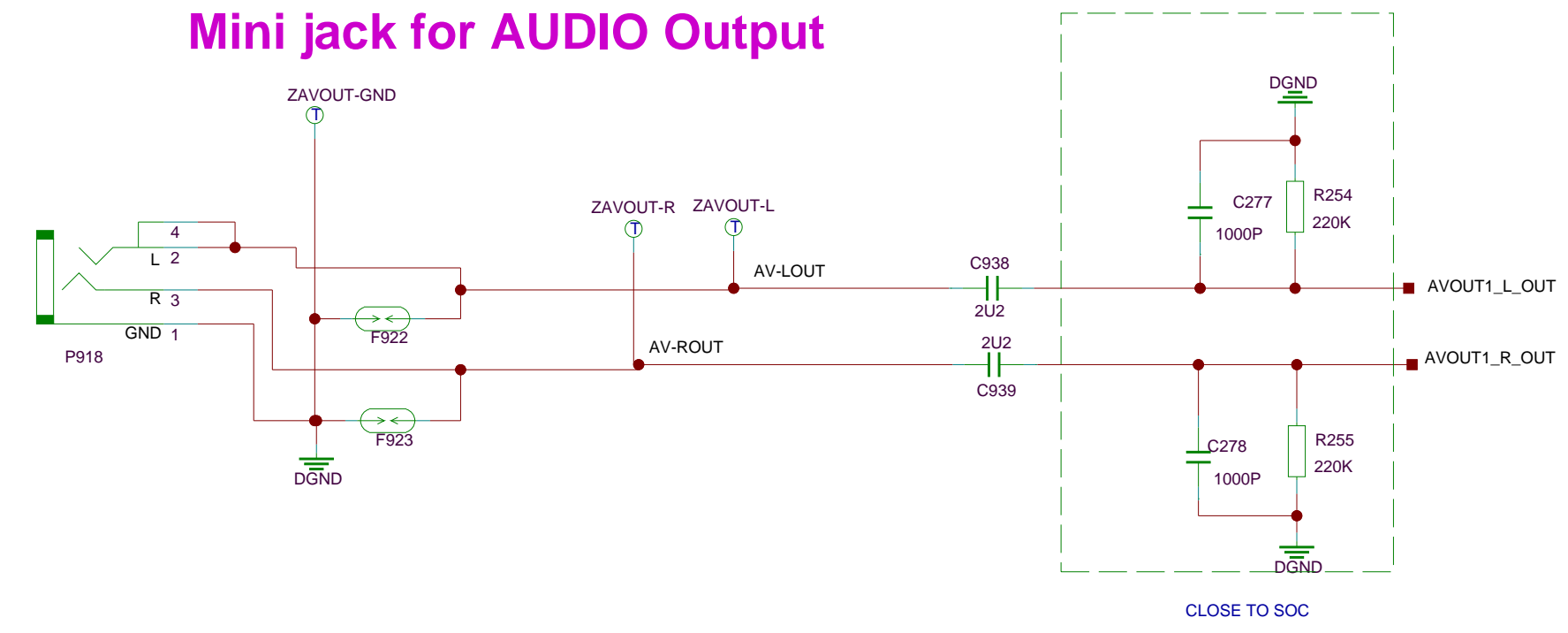
IPTV IN WLAN CONNECTOR

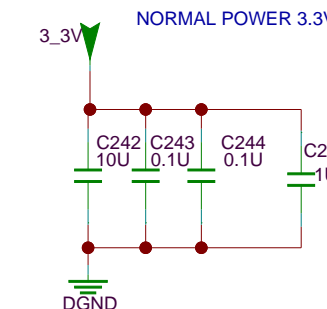
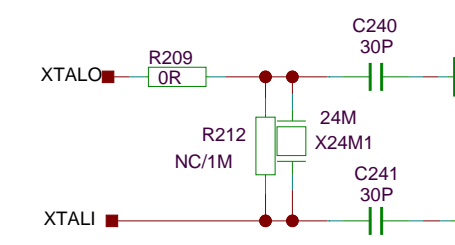
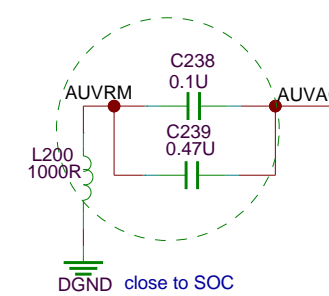
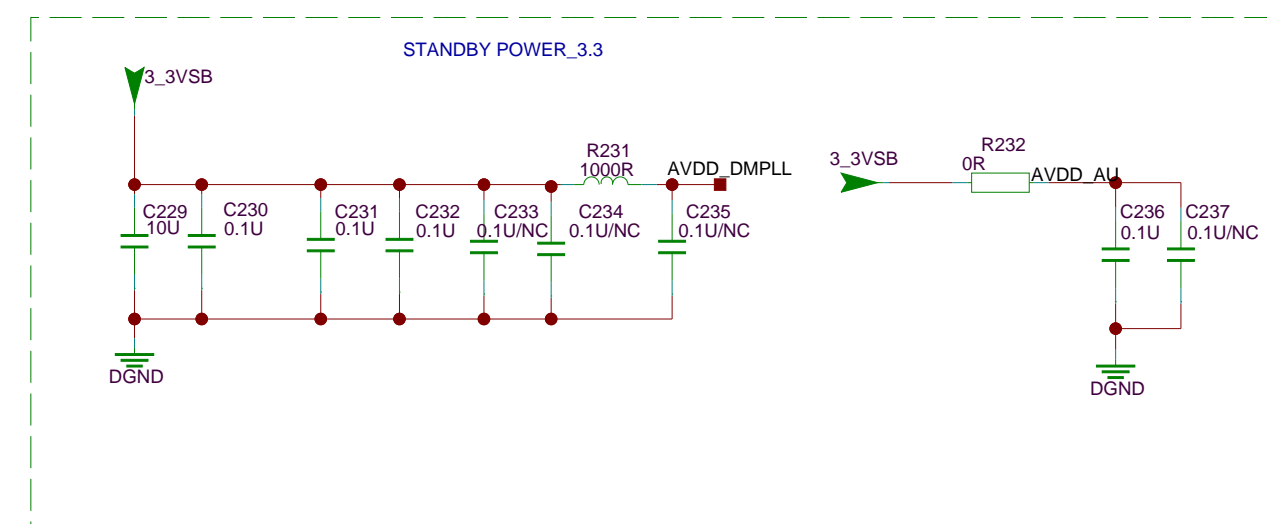
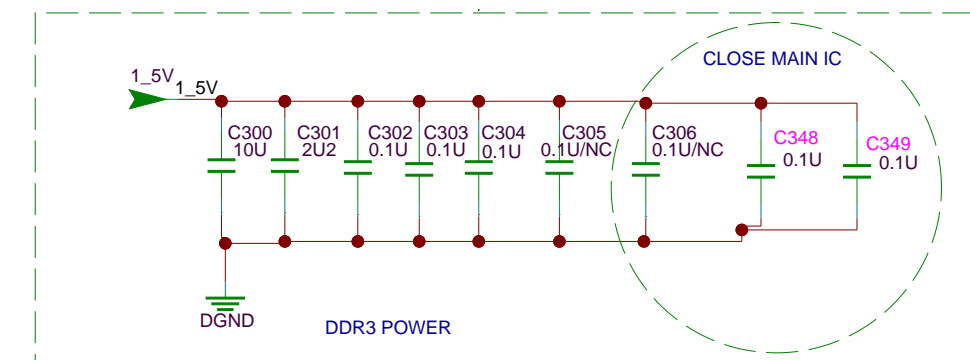
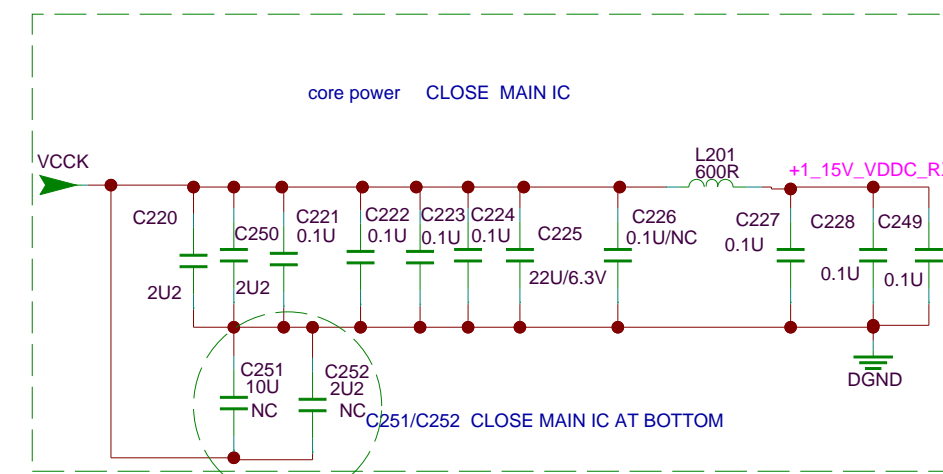
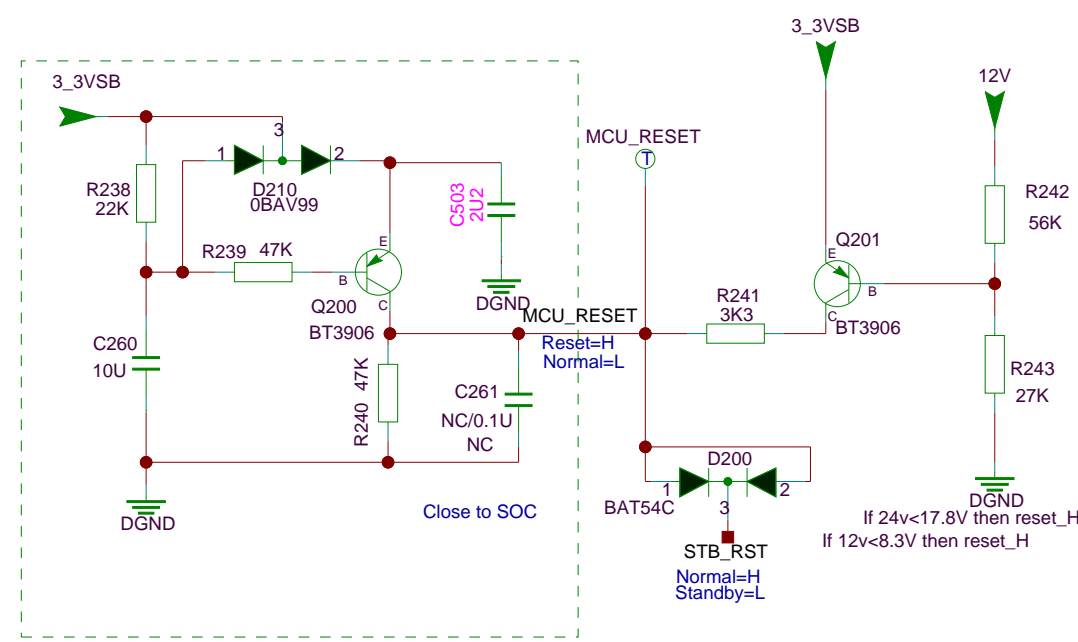
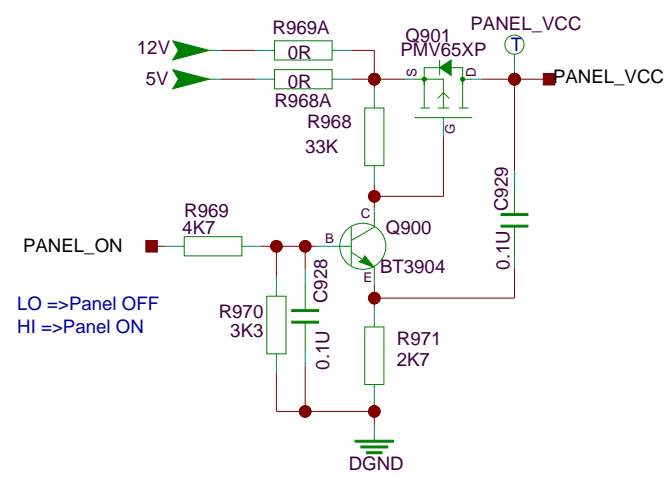
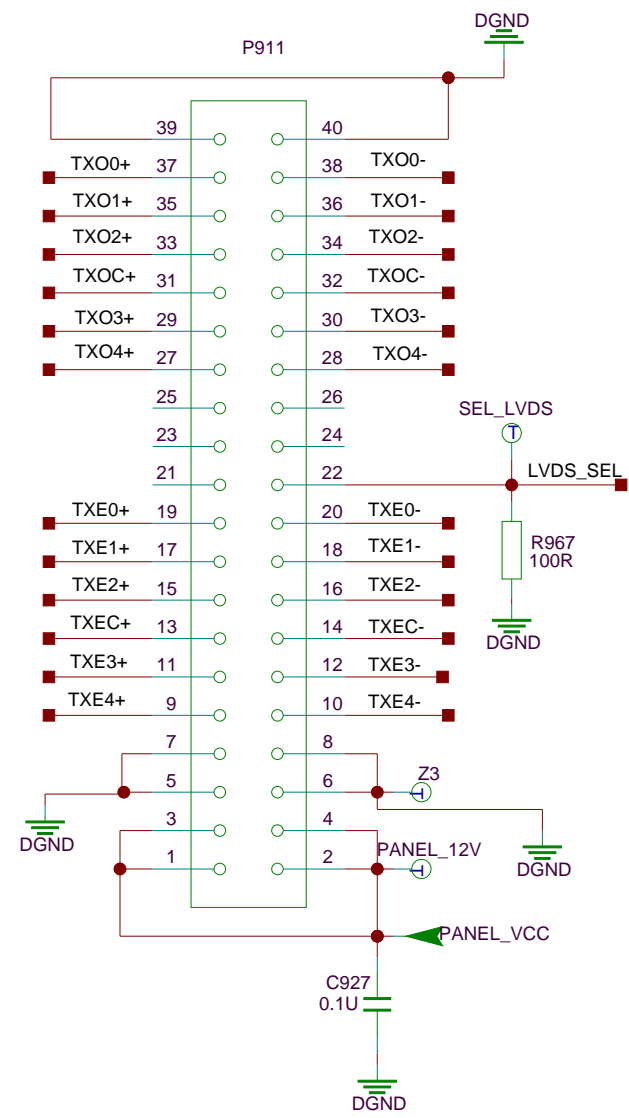


VGA INPUT CIRCUIT



Mini jack for AUDIO Output

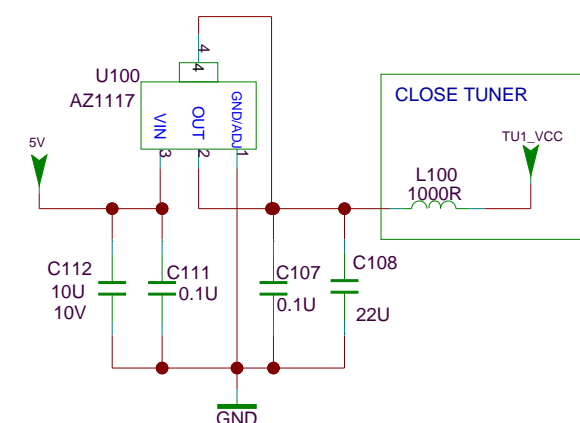




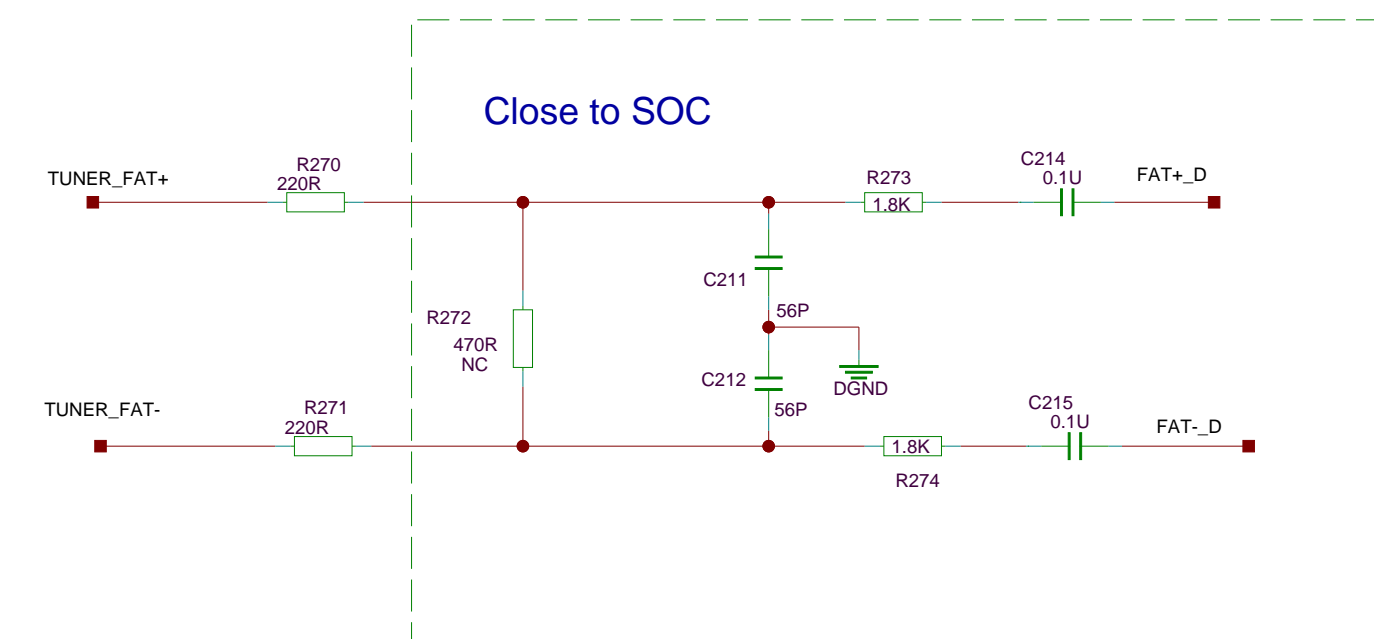
For TUNER power supply

TUNER

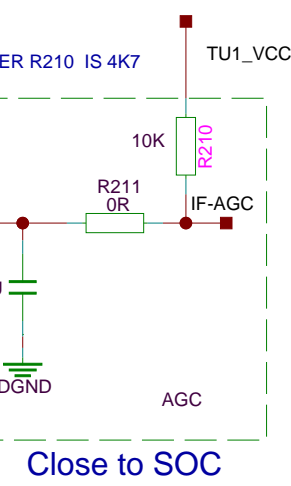
Tuner power supply



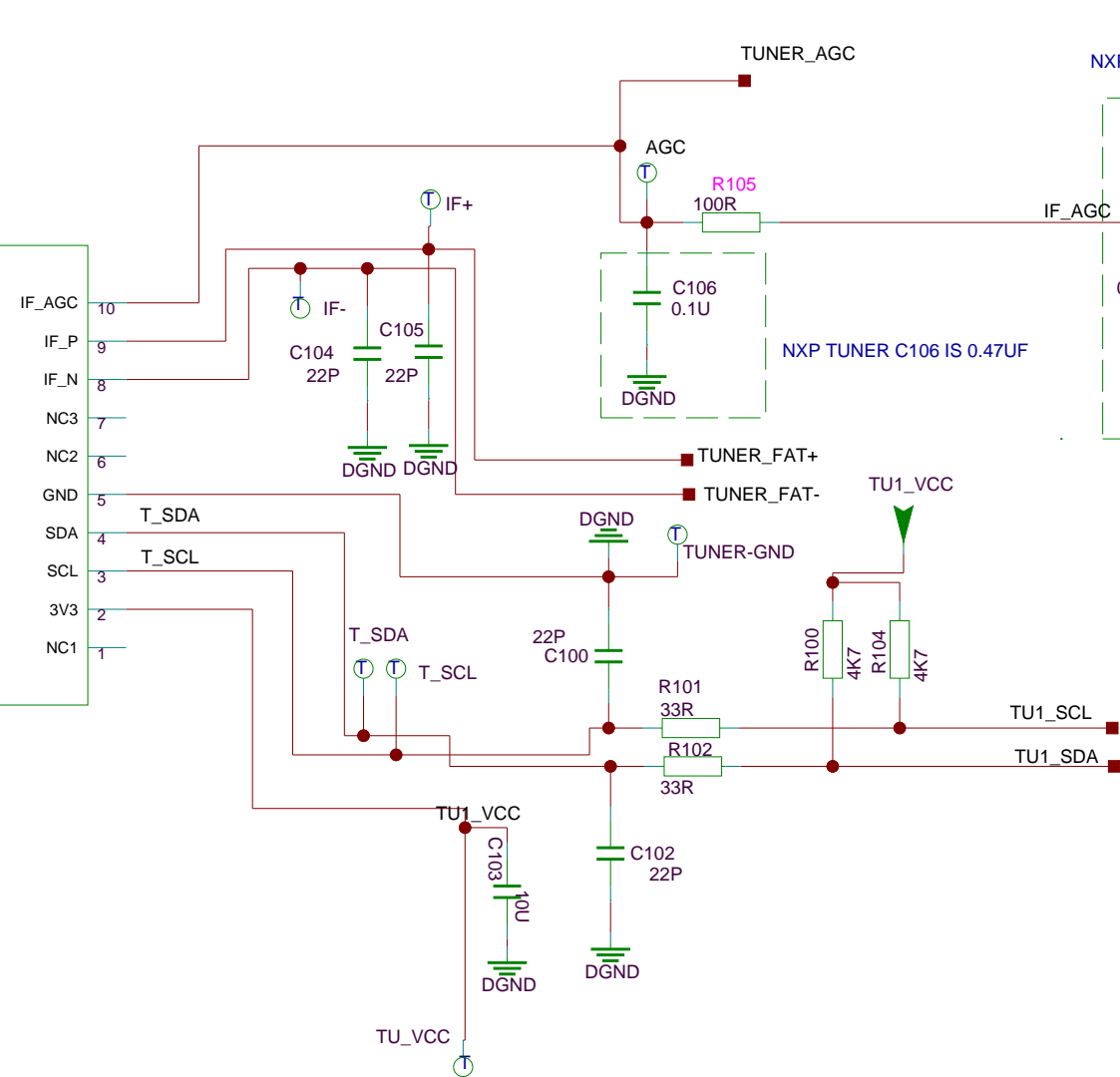
For XF-3SDT-H (Rafael MICRO RT840D)

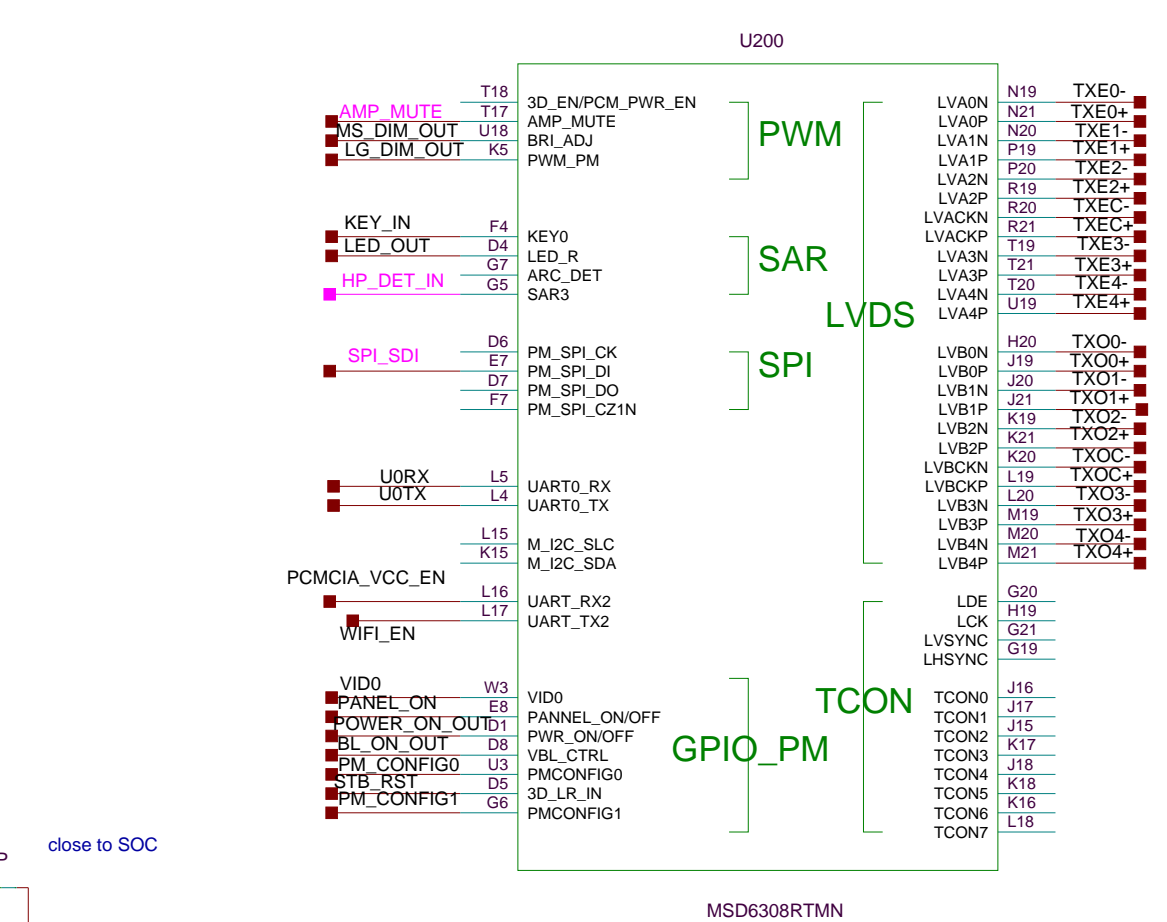
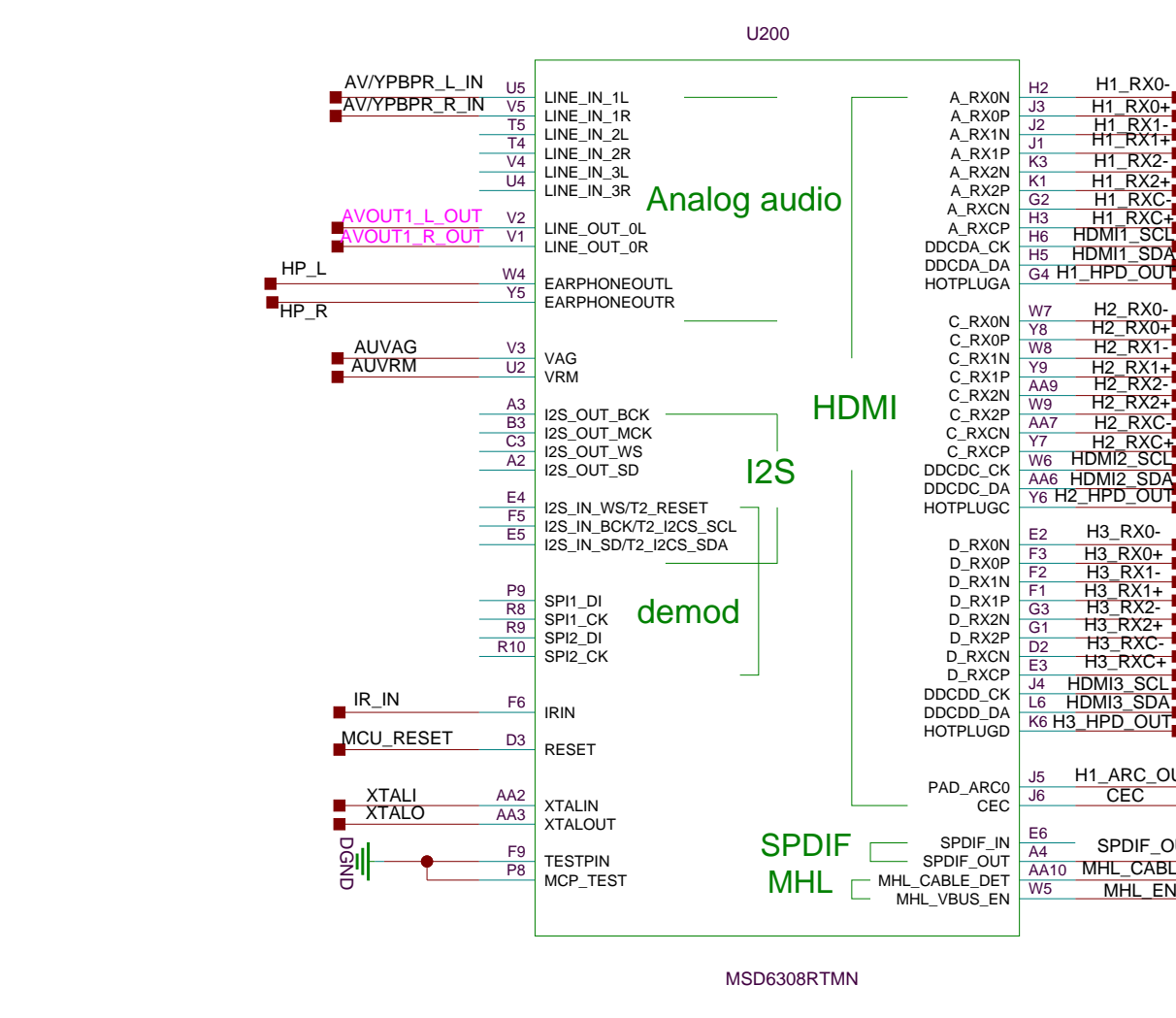
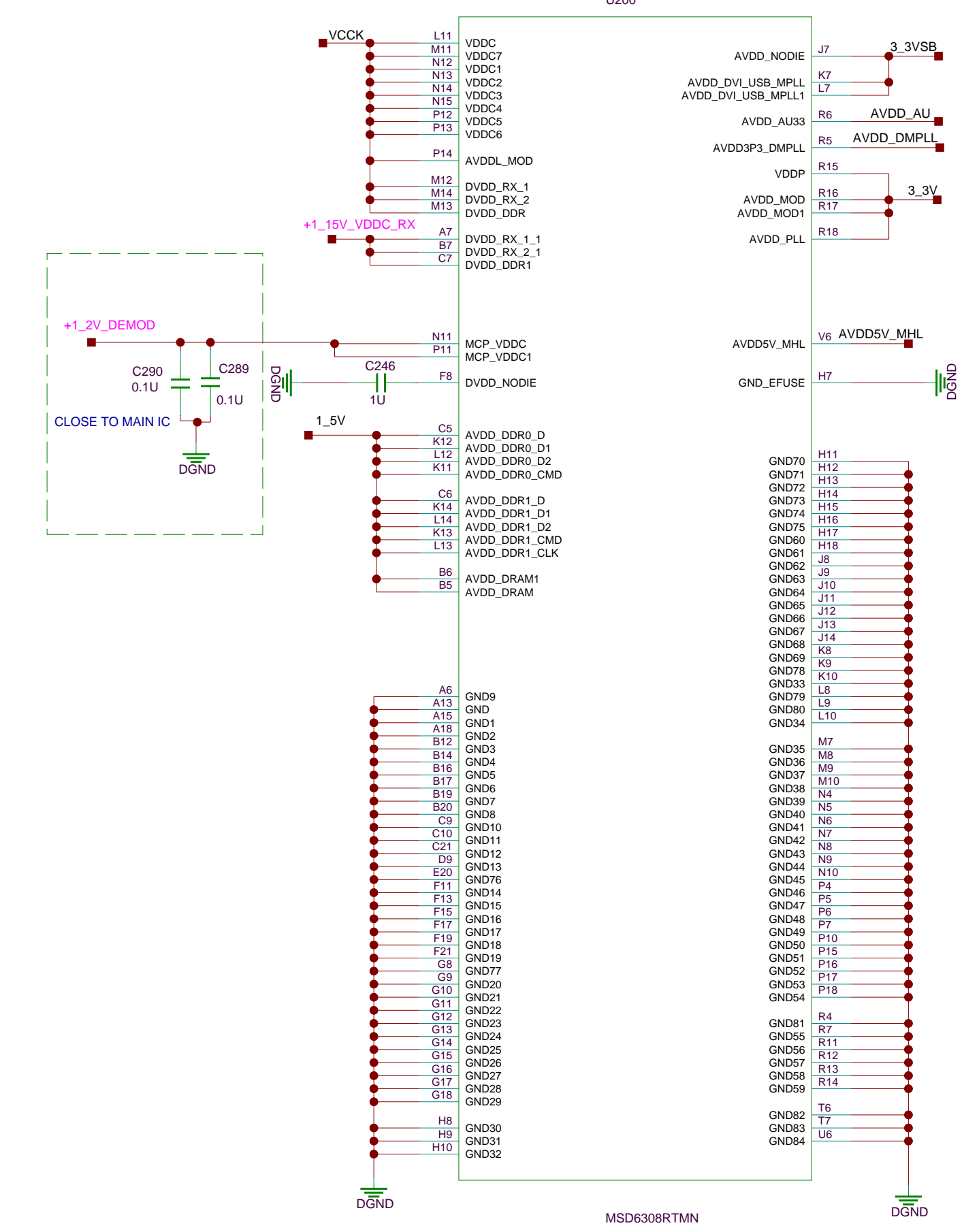
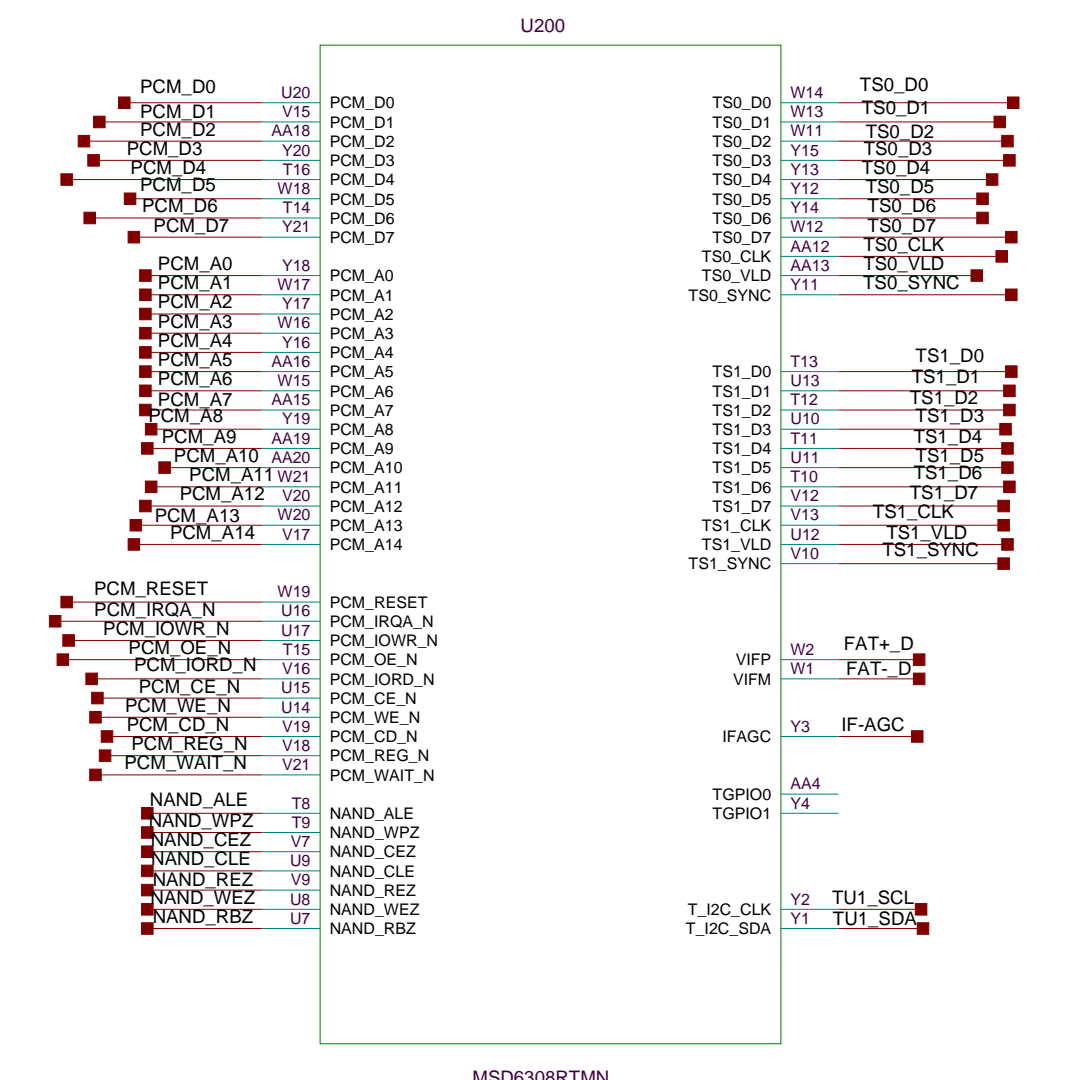
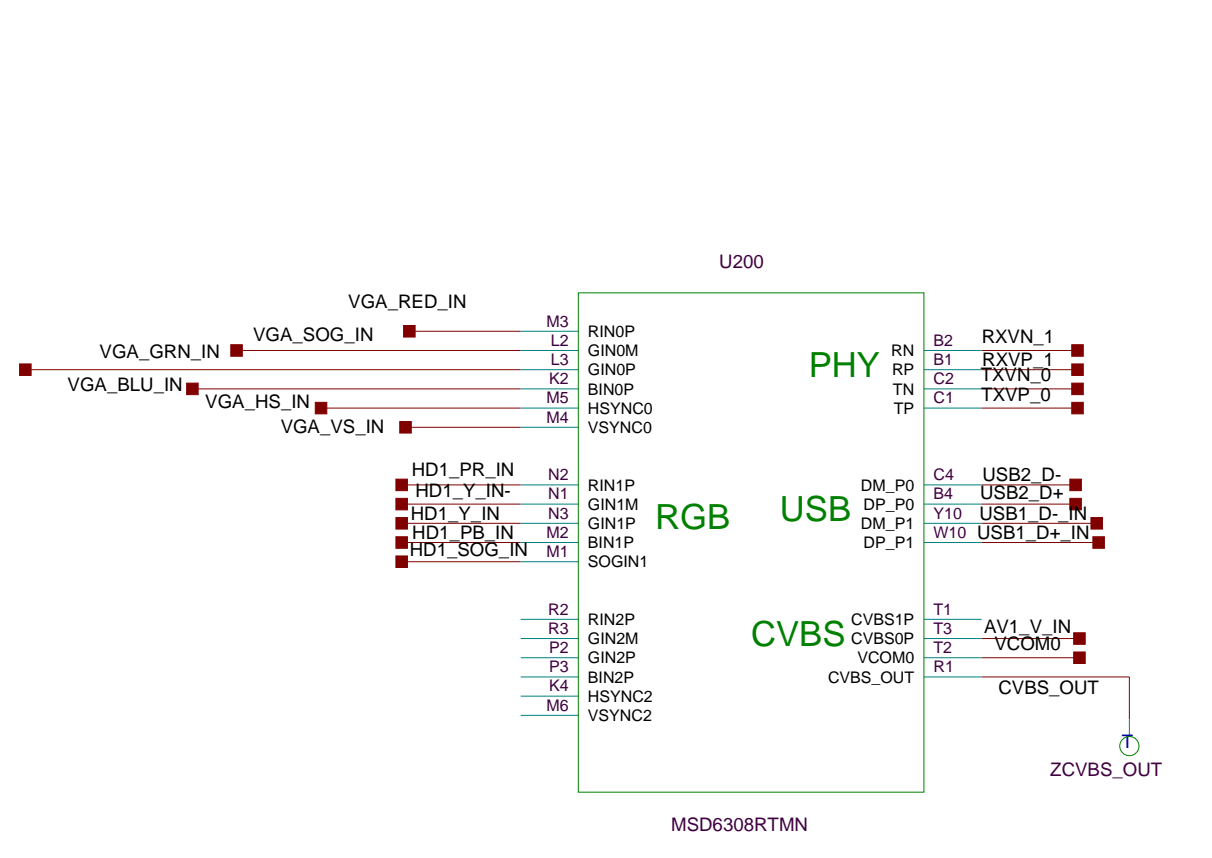


Close to SOC

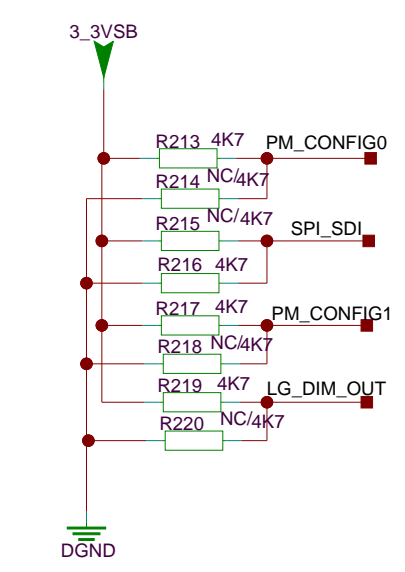


Close to SOC



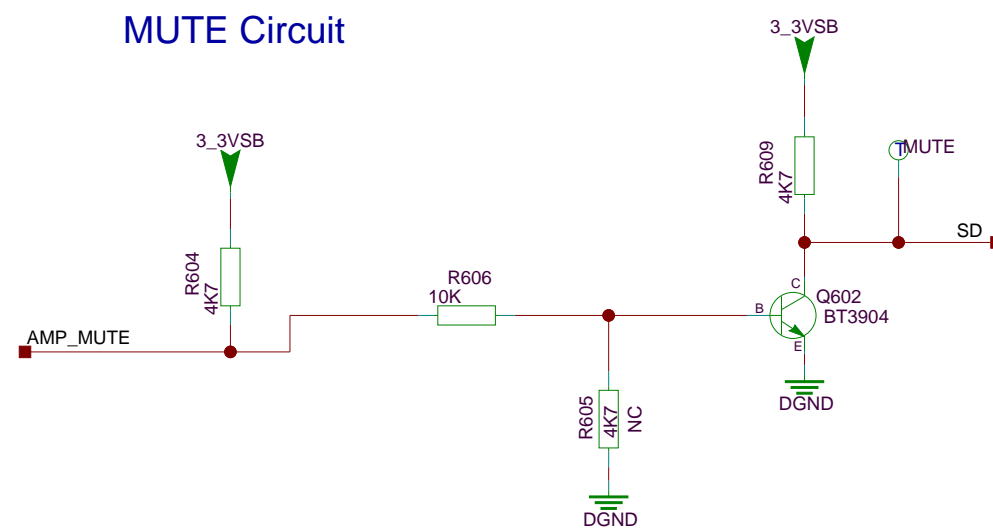


Chip config

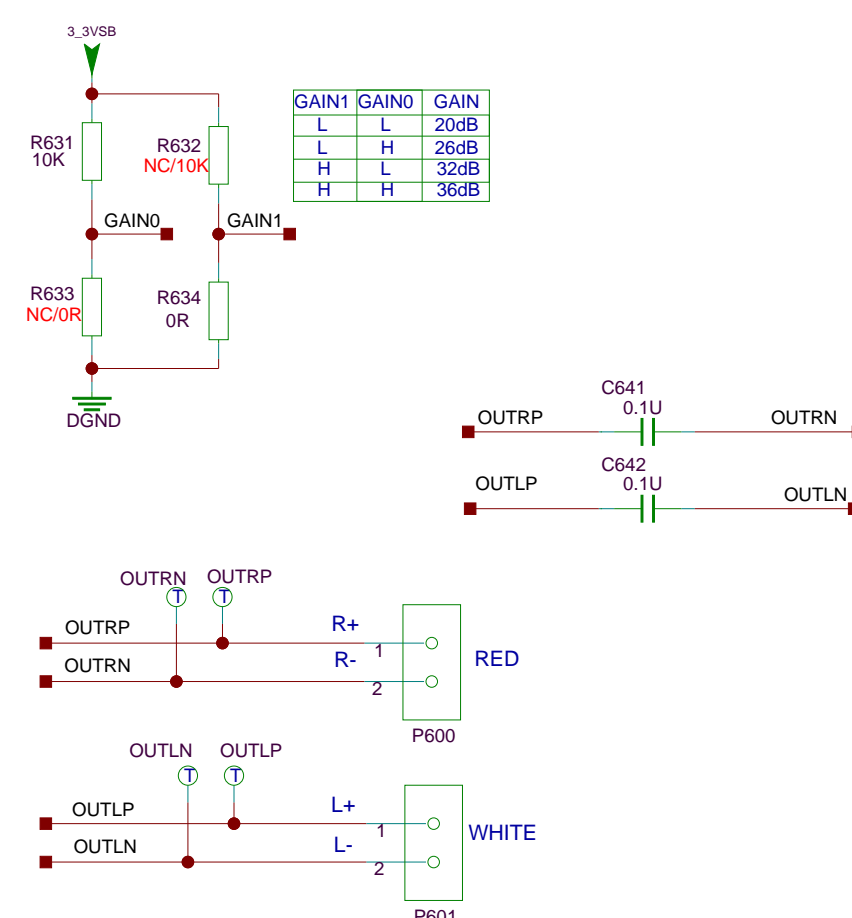
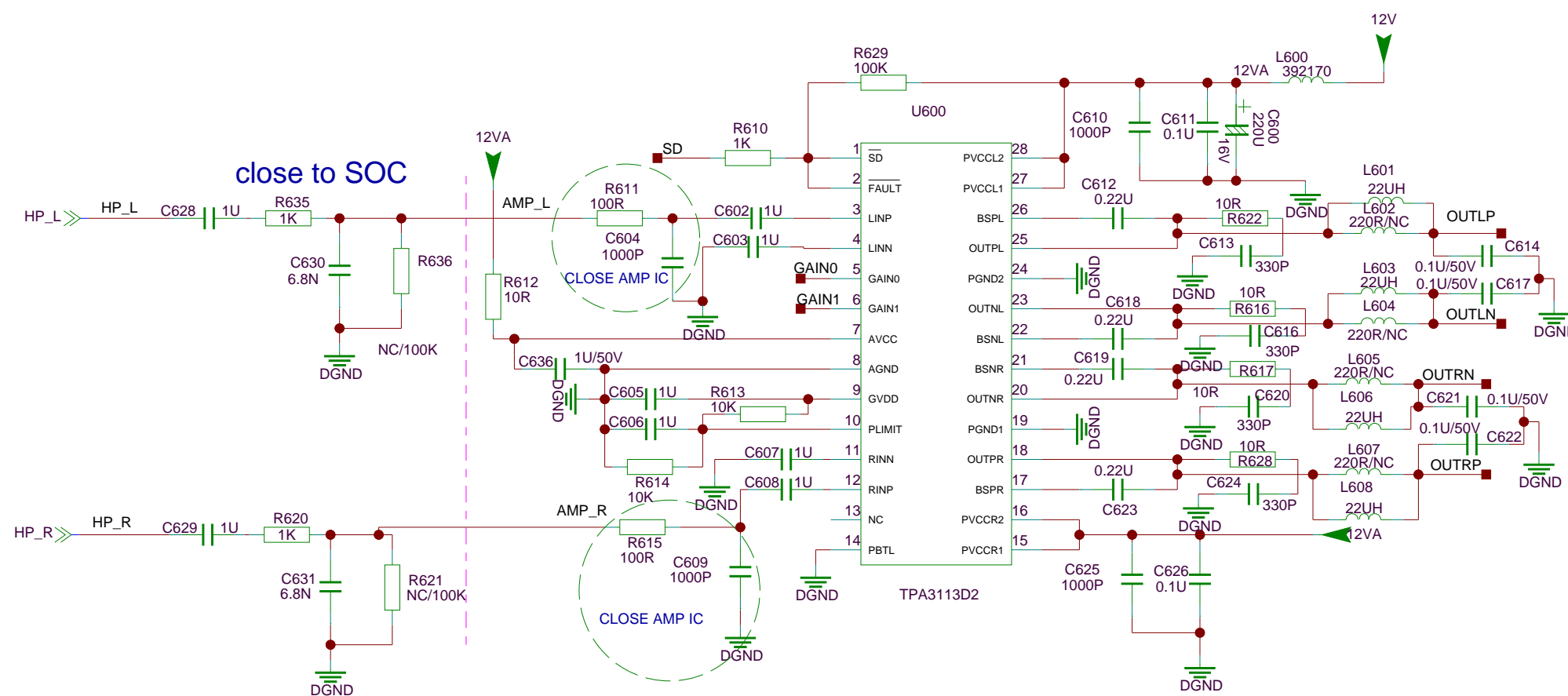


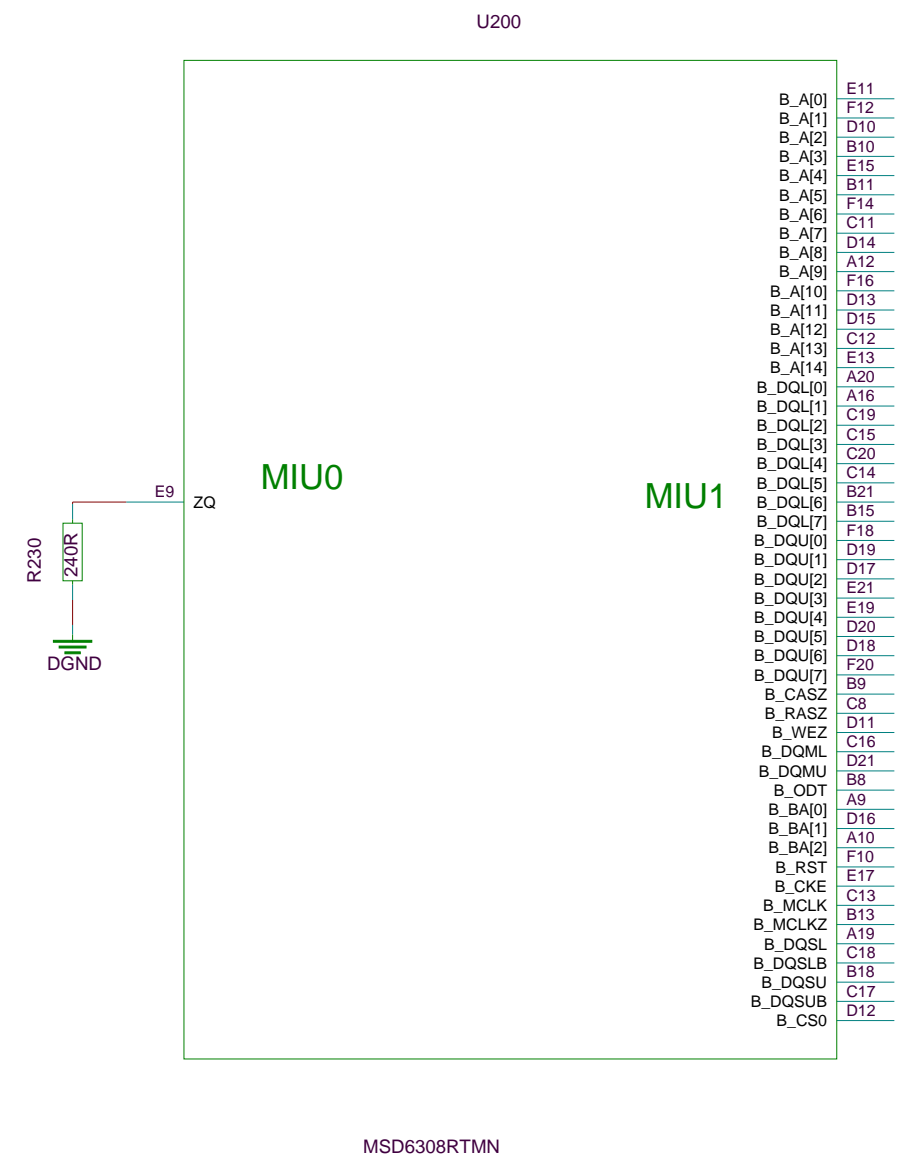
Chip config PIN	LEVEL
PM_CONFIG0	H
SPI_SDI	L
PM_CONFIG1	H
LG_DIM_OUT	H

MUTE Circuit

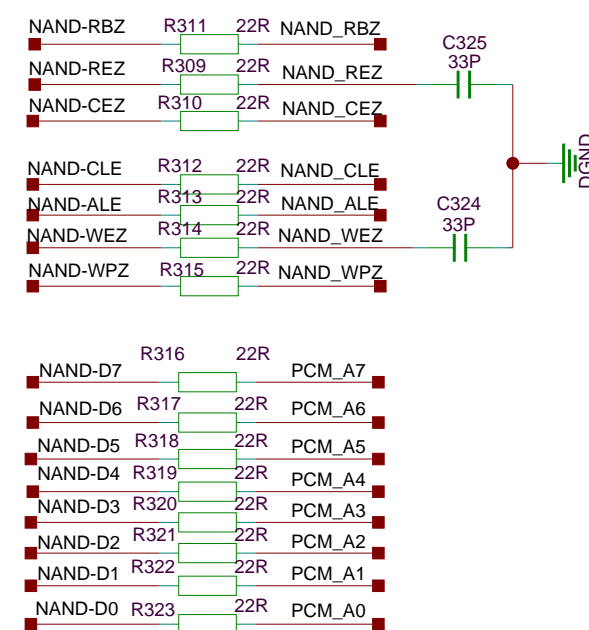
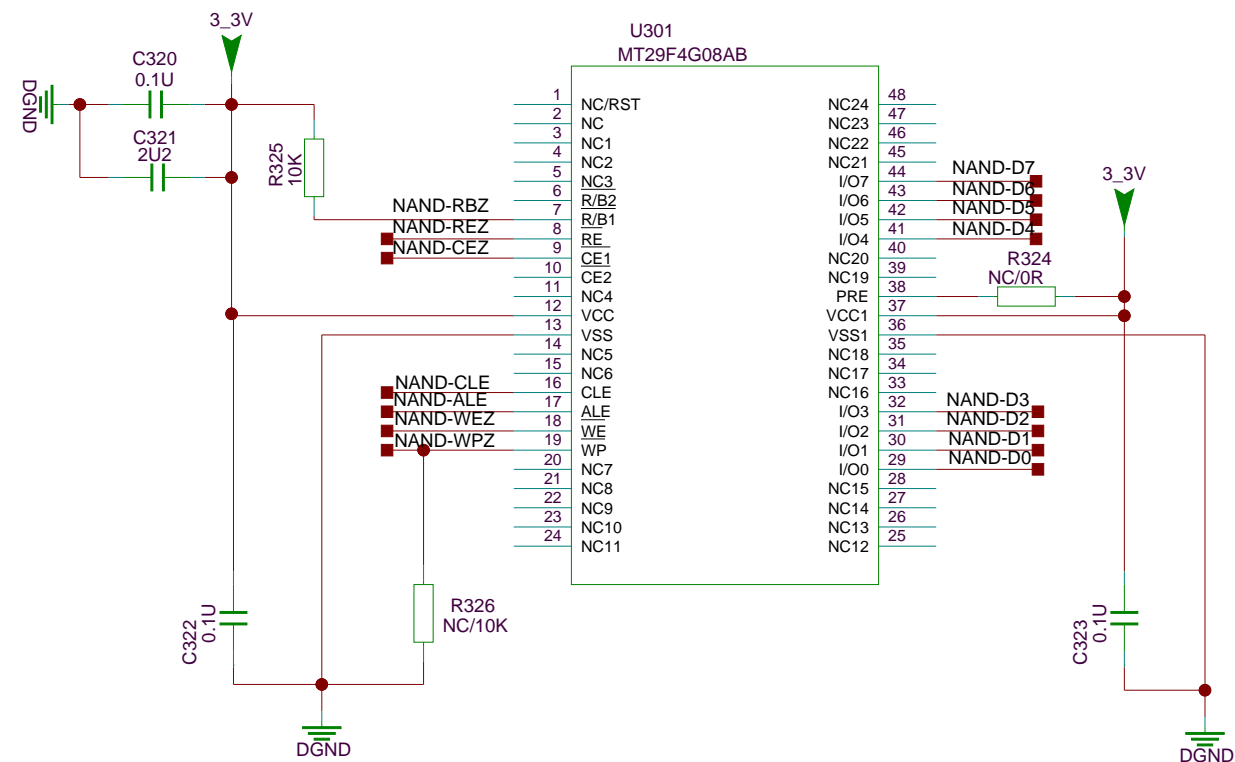


Power AMP TPA3113D2

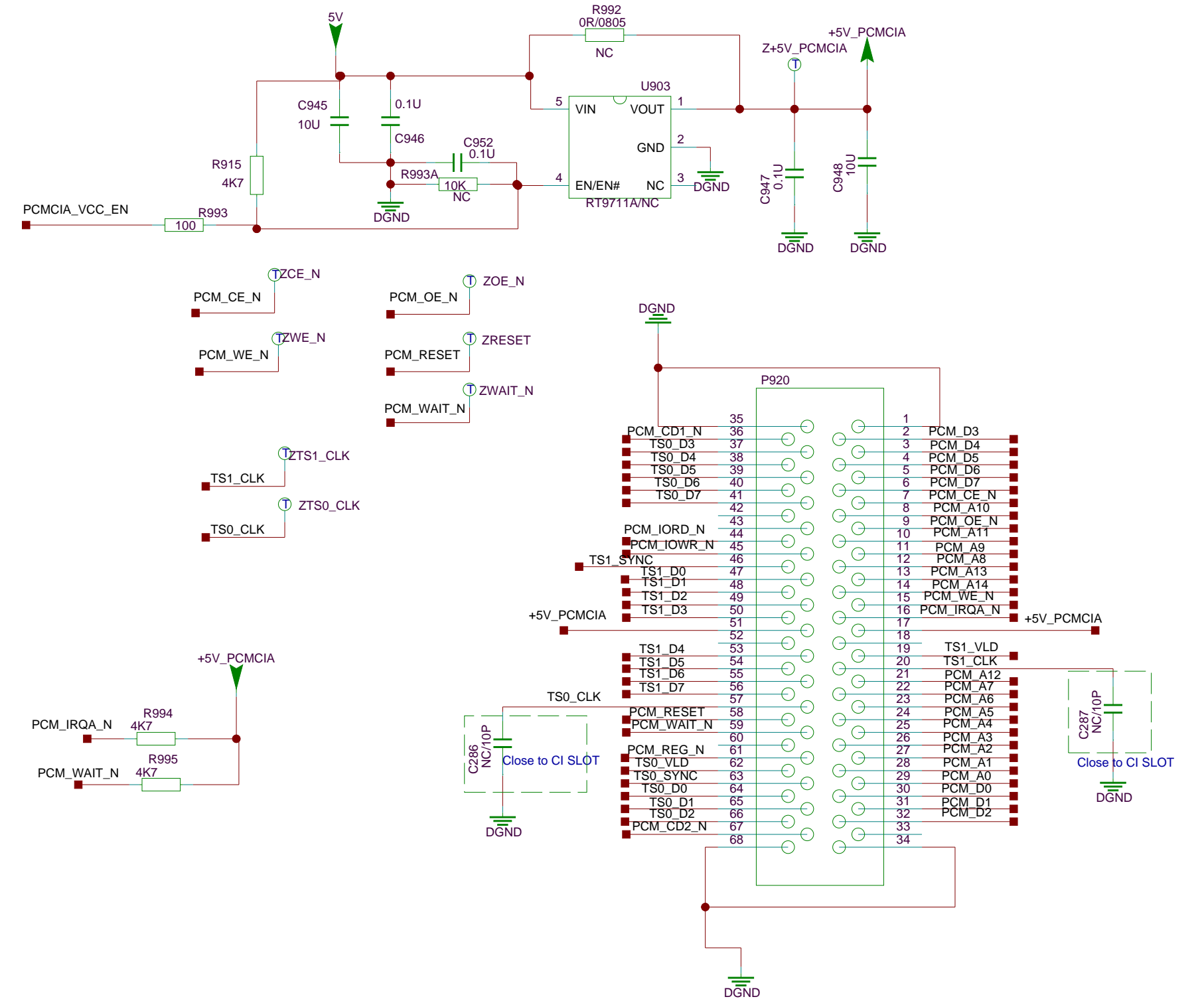




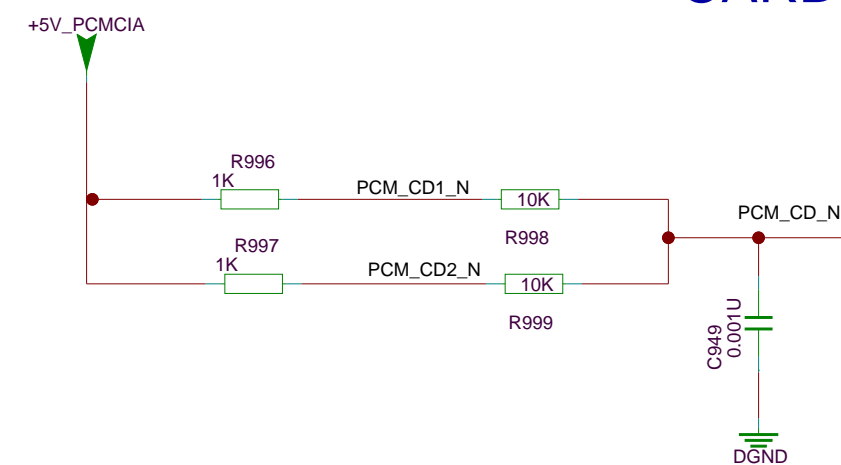
FLASH



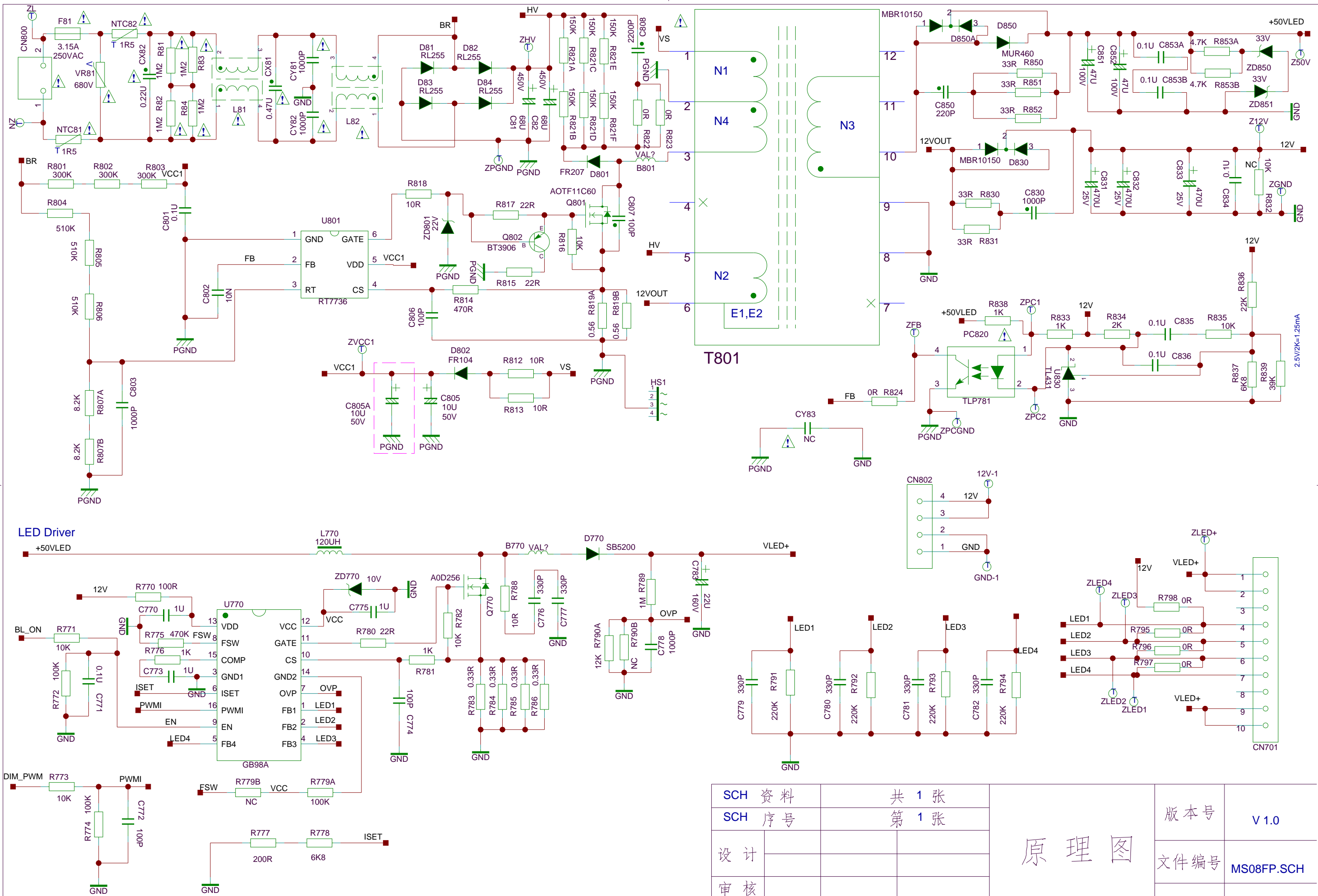
PCMCIA



CARD DETECT



PCM_CD1_N	PCM_CD2_N	PCM_CD_N
GND	GND	L 0V
GND	NC	H 2.5V
NC	GND	H 2.5V
NC	NC	H 2.5V



SCH 资料	共 1 张
SCH 序号	第 1 张
设计	
审核	
批准	

原理图

版本号	V 1.0
文件编号	MS08FP.SCH
产品型号	MS08FP